



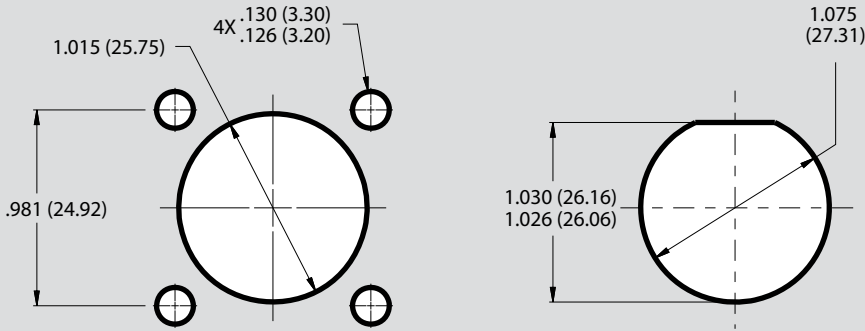
RJ45 ETHERNET AND USB 2.0 Recommended Panel Cutouts



For Mighty Mouse Series 801, 804 and 805
Type A standard USB connectors

A

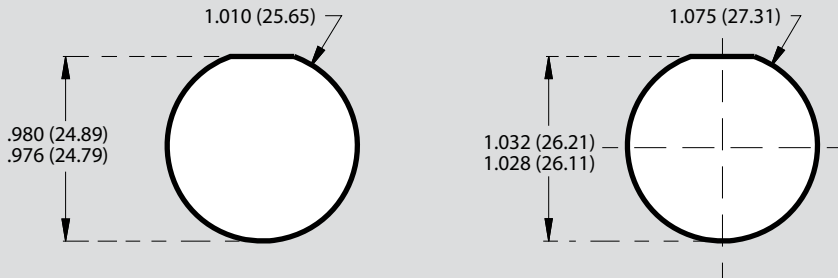
SERIES 801 MIGHTY MOUSE PANEL CUTOUTS FOR SHELL SIZE 16



FRONT OR REAR PANEL MOUNT
SQUARE FLANGE RECEPTACLE

REAR PANEL MOUNT
JAM NUT RECEPTACLE

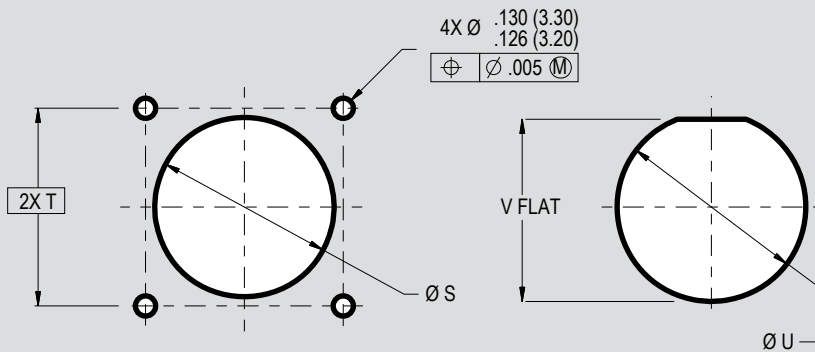
SERIES 804 USB MIGHTY MOUSE PANEL CUTOUTS FOR SHELL SIZE 14



REAR PANEL MOUNT
JAM NUT RECEPTACLE

FRONT PANEL MOUNT
JAM NUT RECEPTACLE

SERIES 805 USB MIGHTY MOUSE PANEL CUTOUTS FOR SHELL SIZE 18



FRONT OR REAR PANEL MOUNT
SQUARE FLANGE RECEPTACLE
(NOTE: -12 & -22 REAR MOUNT ONLY
-02 FRONT OR REAR MOUNT)

REAR PANEL MOUNT
JAM NUT RECEPTACLE