



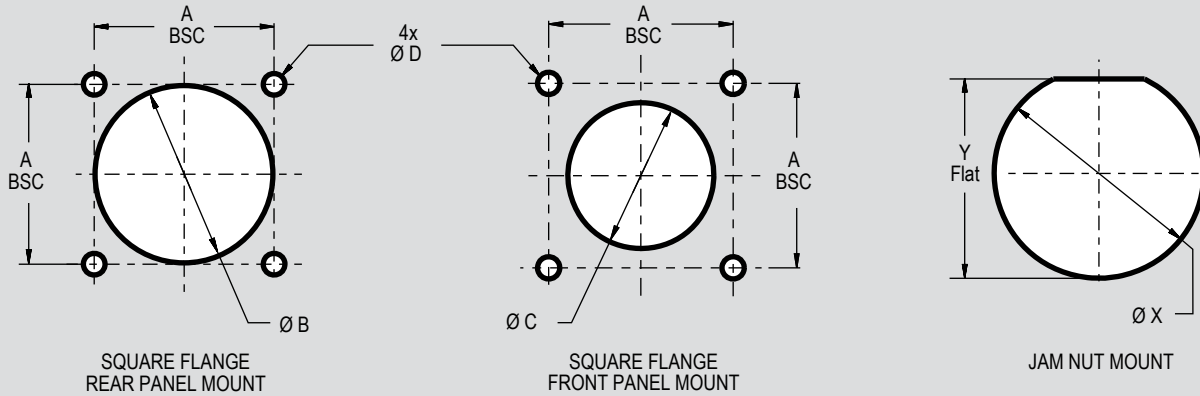
# RJ45 ETHERNET AND USB 2.0 Recommended Panel Cutouts



For MIL-DTL-38999 Series III type connectors

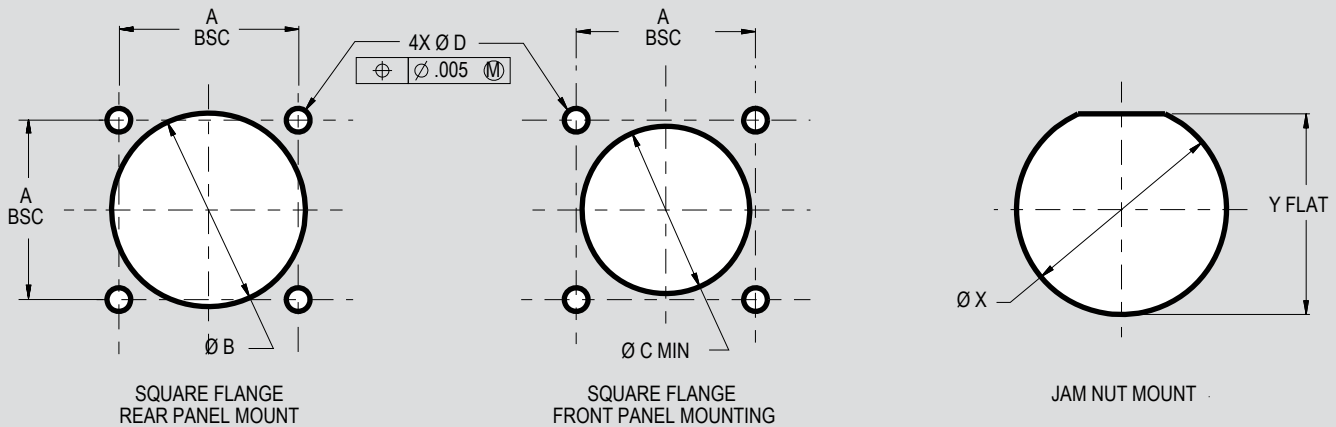
A

## MIL-DTL-38999 TYPE RJ45 PANEL CUTOUTS FOR SHELL SIZE 17 AND 19



Panel Cut-Out Dimensions						
Shell Size	A Bsc	B Dia Min	C Dia Min	D Holes	X Dia	Y Flat
17	1.062 (26.97)	1.219 (30.96)	1.016 (25.81)	.133 (3.38)	1.270 (32.26)	1.210 (30.73)
				.123 (3.12)	1.260 (32.00)	1.208 (30.68)
19	1.156 (29.36)	1.297 (32.94)	1.141 (28.98)		1.395 (35.43)	1.335 (33.91)
				1.385 (35.18)	1.325 (33.66)	

## MIL-DTL-38999 TYPE USB PANEL CUTOUTS FOR SHELL SIZE 15 AND 17



Panel Cut-Out Dimensions						
Shell Size	A Bsc	B Dia Min	C Dia Min	D Holes	X Dia	Y Flat
15	.969 (24.61)	1.047 (26.59)	.906 (23.01)	.133 (3.38)	1.145 (29.08)	1.085 (27.56)
				.123 (3.12)	1.135 (28.83)	1.075 (27.31)
17	1.062 (26.97)	1.219 (30.96)	FPM not offered		1.270 (32.26)	1.210 (30.73)
				1.260 (32.00)	1.200 (30.48)	