



RJ45 CAT 5E ETHERNET

Series IPT (26482 Type) Bayonet Coupler



IPT330 Feedthrough Receptacle with Jack-to-Jack RJ45

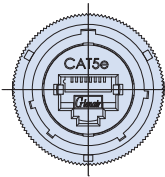


How to Order						
Sample Part Number	IPT330	02PP	18	5E	1	F7
Basic Number	IPT330					
Connector Style ¹	02PP = Front Panel Mount Square Flange receptacle					
Shell Size	18					
RJ45 Category ²	5E = Cat 5E For Cat 6A applications consult factory					
RJ45 Orientation	1,2,3 or 4					
Material/Finish	Omit for Aluminum/Cadmium, Olive Drab (G3) F6 = Aluminum/Black Polymer Electrocoat F7 = Aluminum/Conductive Black Zinc Nickel F11 = Aluminum/Electroless Nickel					

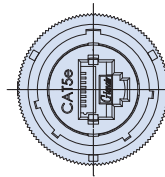
NOTES

1. See Section A for recommended panel cut out dimensions
2. Feedthrough is jack/jack layout

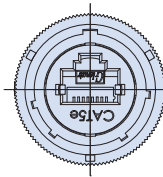
RJ45 Orientation, Receptacle Options



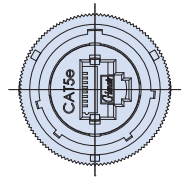
Code 1



Code 2

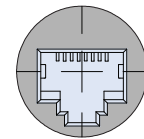
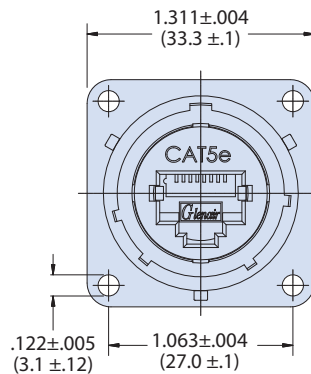
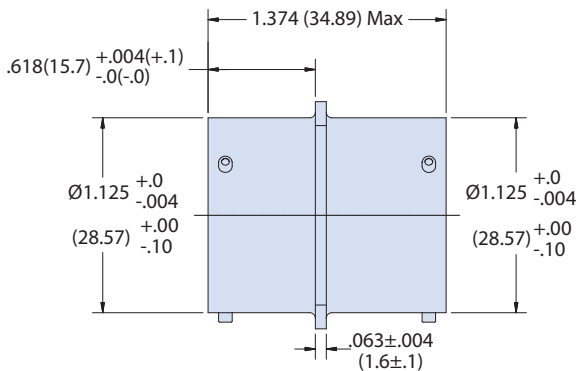


Code 3



Code 4

02 - FRONT PANEL SQUARE FLANGE MOUNT RECEPTACLE



Rear Connector View with RJ45 Jack