



RJ45 CAT 5E ETHERNET 28840 SuperSeal™



900-301 Connector with RJ45 Plug (Plug) or Jack (Receptacle) to Crimp Removable Contacts

How to Order

Part Number Example	900-301	NF	D0	-	17	5H	1	1
Basic Number	900-301 = Connector with Accessory Threads							
Material/Finish	See Material and Finish Options Table							
Connector Style	D0 = Receptacle, Wall Mount 07 = Receptacle, Jam Nut		05 = Receptacle, Inline G6 = Plug					
Shielding	- = Inline Shielded RJ45		G = Inline Shielded and Grounded to Shell (See Note 4)					
Shell Size	17 or 19							
RJ45 Category	5H = CAT5E For Cat 6A applications consult factory							
Alternate Polarization	1, 2, 3, 4, 5, 6 See connector specifications page for further information (Per MIL-DTL-28840)							
RJ45 Orientation	1, 2, 3, 4 (See below for options)							

Wall Mount & Inline Receptacle Dimensions

Shell Size	A Thread	B Sq	C Bsc	D Thread	E	ØF
17	1.125-.1P-.2L-DS-2A	1.403 (35.64)	1.015 (25.78)	1.125-18 UNEF 2A	1.143 (29.03)	1.338 (33.99)
		1.363 (34.62)			1.133 (28.78)	1.318 (33.48)
19	1.312-.1P-.2L-DS-2A	1.528 (38.81)	1.140 (28.96)	1.250-18 UNEF 2A	1.330 (33.78)	1.525 (38.74)
		1.488 (37.80)			1.320 (33.53)	1.505 (38.23)

Jam Nut Receptacle & Plug Dimensions

Shell Size	ØG	H	J Flat	K Thread	ØL Max
17	1.743 (44.27)	1.649 (41.88)	1.216 (30.89)	1.250-18 UNEF 2A	1.387 (35.23)
	1.723 (43.76)	1.629 (41.38)	1.207 (30.66)		
19	1.931 (49.05)	1.837 (46.66)	1.403 (35.64)	1.4375-18 UNEF 2A	1.513 (38.43)
	1.911 (48.54)	1.817 (46.16)	1.394 (35.41)		

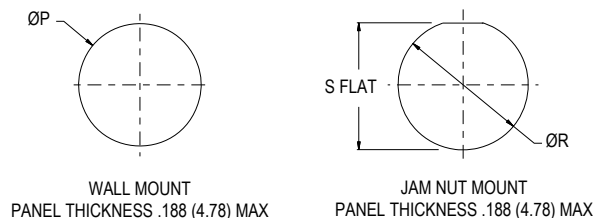
Panel Cutouts

Shell Size	ØP	ØR	S Flat
17	1.187 (30.15)	1.265 (32.13)	1.228 (31.19)
		1.255 (31.88)	1.218 (30.94)
19	1.374 (34.90)	1.453 (36.91)	1.415 (35.94)
		1.443 (36.65)	1.405 (35.69)

Material and Finish Options

Code	Material	Finish Description
NF	Aluminum	Cadmium O. D. Over Electroless Nickel (500 hour Salt Spray)
ZN		Zinc Nickel, Olive Drab
MT		Nickel-PTFE, 1000 Hour Grey™
Z1	Stainless Steel	Passivate
ZU		Black Cadmium Over Nickel
AB	Marine Bronze	None (Clean Only)

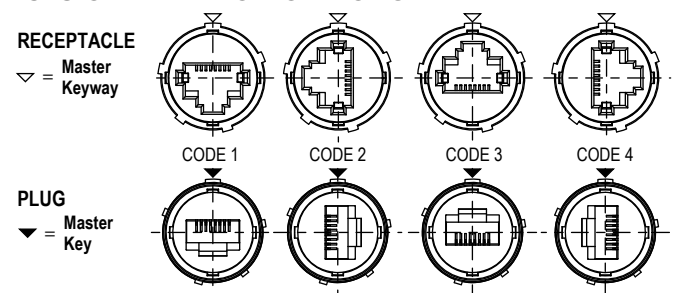
RECOMMENDED PANEL CUT-OUTS



NOTES

1. Connector meets general requirements of MIL-DTL-28840 and RJ45 connector meets TIA 568B standard.
2. Crimp removable contacts to conform to M39029/58-360 - size 22 pin contacts supplied loose.
3. Receptacle connector designed to meet IP67 unmated condition. Plug connector designed to meet IP68 mated condition, consult factory for detailed information.
4. "G" indicates RJ45 coupler is shielded inline and grounded to shell.
5. Connector accessory features per M28840 connector designator G. Consult factory for crimp tool and accessory selection.

RJ45 ORIENTATION OPTIONS



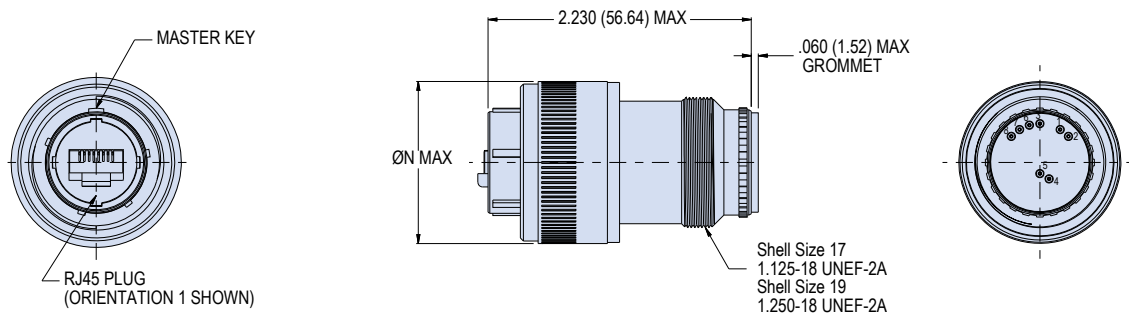


RJ45 CAT 5E ETHERNET 28840 SuperSeal™

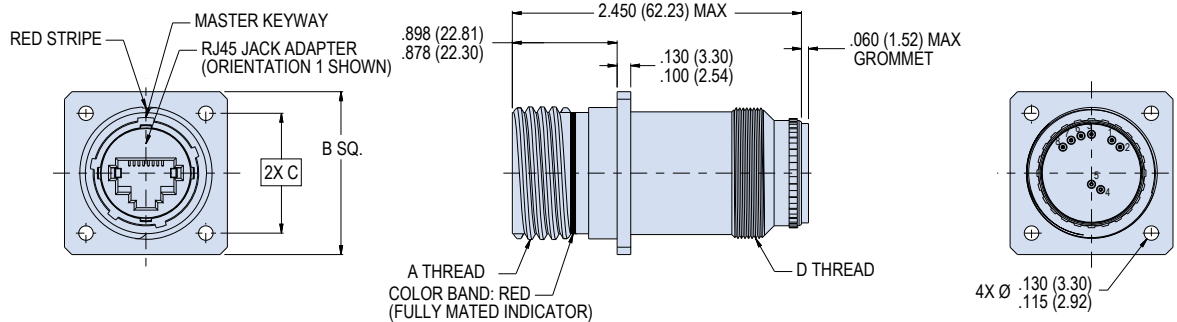


900-301 Connector with RJ45 Plug (Plug) or Jack (Receptacle) to Crimp Removable Contacts

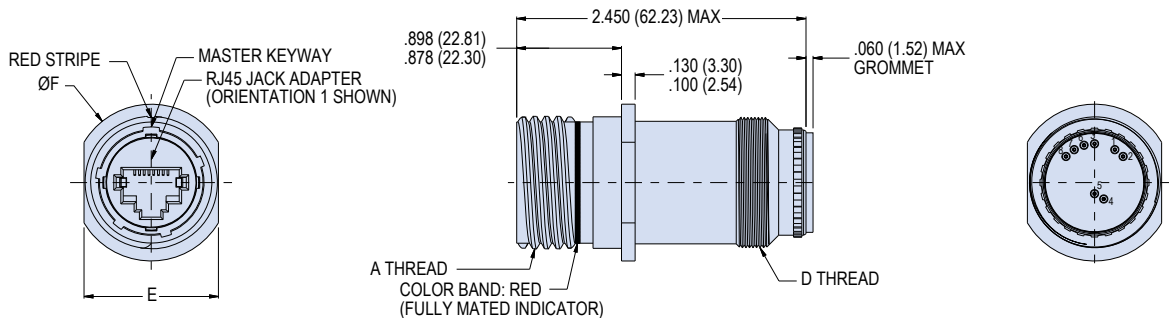
G6 - PLUG (JAM NUT RECEPTACLE & PLUG DIMENSIONS TABLE)



D0 - WALL MOUNT RECEPTACLE (WALL MOUNT & INLINE RECEPTACLE DIMENSIONS TABLE)



05 - RECEPTACLE, INLINE (WALL MOUNT & INLINE RECEPTACLE DIMENSIONS TABLE)



07 - JAM NUT MOUNT RECEPTACLE (JAM NUT RECEPTACLE & PLUG DIMENSIONSTABLE)

