



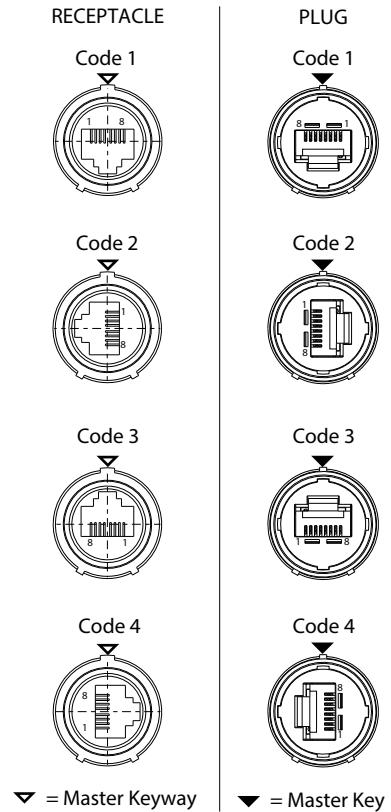
RJ45 CAT 5E ETHERNET COMPATIBLE Series 801, 804 and 805 Mighty Mouse



804-301 Push/Pull RJ45 Plug (Plug) or Jack (Receptacle) to Crimp Removable Contacts

Series 804 Push/Pull

RJ45 ORIENTATION OPTIONS

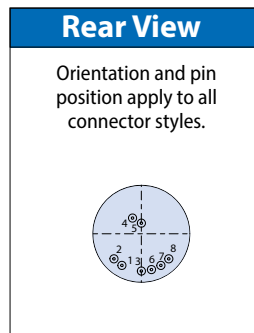
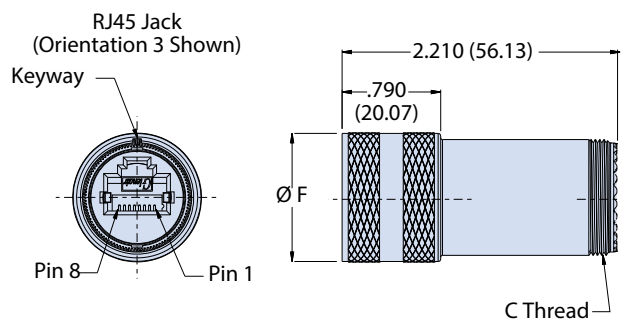


How To Order	
Sample Part Number	804-301 - NF 07 G 16 5H A 1
Series	804-301
Rear Accessory Option	- = Accessory Thread and Teeth B = Integral Boot Adapter S = Integral Banding Platform
Material and Finish ¹	NF = Al/Cadmium, Olive Drab M = Al/Electroless Nickel MT = Al/Nickel PTFE ZNU = Al/Black Zinc Nickel
Shell Style ¹	01 = In Line Receptacle 00 = Jam Nut Receptacle, Front Panel Mount 07 = Jam Nut Receptacle, Rear Panel Mount 16 = Plug
Grounding	- = Inline Shielded G = Shielded and grounded to shell For improved 360° shielding performance select shell size 16
Shell Size	15 = Shell Size 15 16 = Shell Size 16
RJ45 Category	5H = Cat 5E For Cat 6A applications consult factory
Alternate Key Positions ¹	A, B, C, D, E, F; Omit for single keyway (non polarized)
RJ45 Orientation	1, 2, 3, 4

K

Receptacle Dimensions								
Size Shell	Mounting Style	Ø A	B Threads	C Threads	Ø D	Ø E	Ø F	K Threads
15	Front Mount	--	--	.9375-20 UNEF-2A	1.450 (35.31)	.850 (21.59)	1.060 (26.92)	1.125-28 UN-2A
	Rear Mount	1.390 (35.31)	1.0625-20 UN-2A		--			--
16	Front Mount	--	--	1.000-20 UNEF-2A	1.502 (38.15)	.902 (22.91)	1.188 (30.18)	1.1875-28 UN-2A
	Rear Mount	1.425 (36.20)	1.250-28 UN-2A		--			--

SHELL STYLE 01 IN-LINE RECEPTACLE



NOTES

1. See Section A for recommended panel cutout dimensions, additional finishes and alternate keyway positions.
2. Meets IP67 sealing requirement in unmated condition
3. Supplied with size 23 crimp socket contacts (809-002 supplied loose)



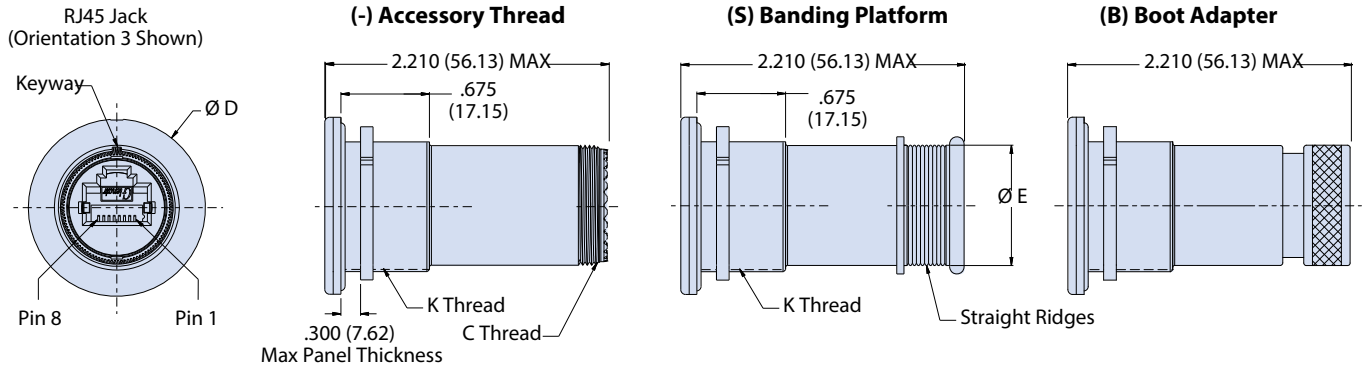
RJ45 CAT 5E ETHERNET COMPATIBLE
Series 801, 804 and 805 Mighty Mouse
 804-301 Push/Pull RJ45 Plug (Plug) or Jack
 (Receptacle) to Crimp Removable Contacts



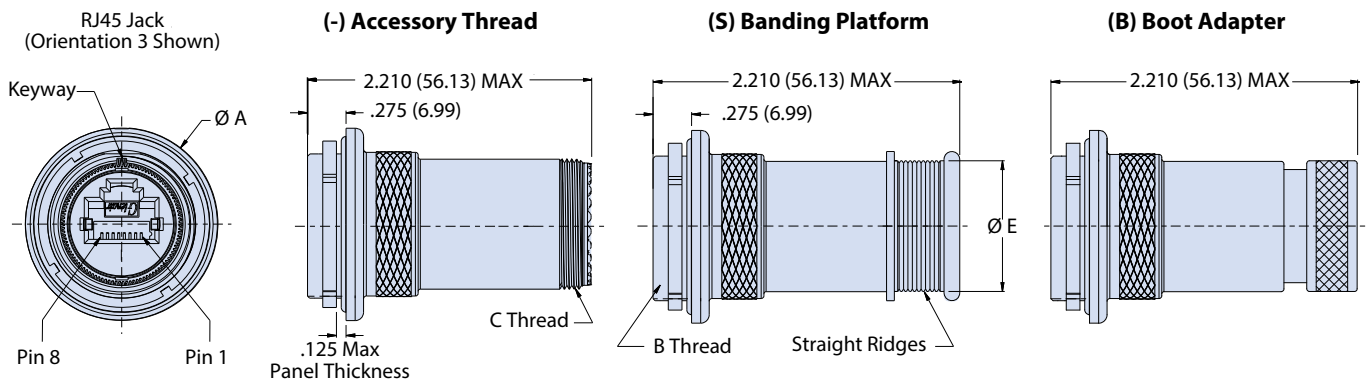
Series 804 Push/Pull

K

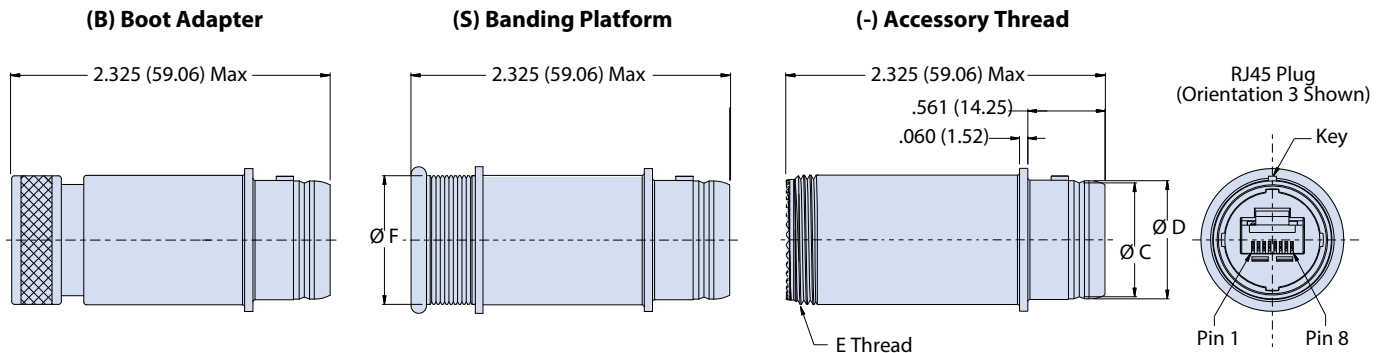
SHELL STYLE 00 FRONT PANEL MOUNT JAM NUT RECEPTACLE



SHELL STYLE 07 REAR PANEL MOUNT JAM NUT RECEPTACLE



SHELL STYLE 16 PLUG



Plug Dimensions

Shell Size	Ø A	Ø C	Ø D	E Threads	Ø F
15	1.045 (26.54)	.828 (21.03)	.860 (21.84)	.9375-20 UNEF-2A	.850 (26.92)
16	1.095 (27.81)	.878 (22.30)	.910 (23.11)	1.0000-20 UNEF-2A	.902 (22.91)