



DISPLAYPORT

MIL-DTL-38999 Series III Type Connectors



233-379 Connector receptacle with DisplayPort to PC tail termination



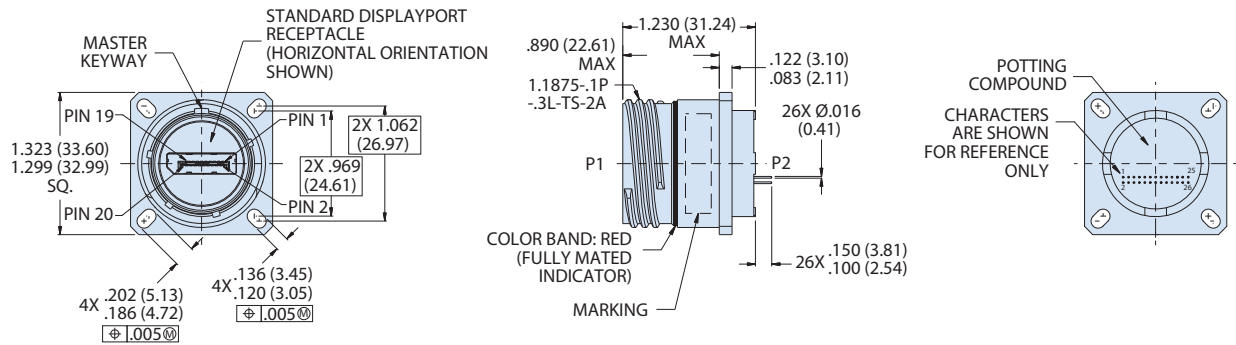
Part Number Development						
Sample Part Number	233-379	NF	00	-17	N	H
Basic Number	233-379					
Finish	See Material and Finish table					
Connector Style	See Connector Style table					
Shell Size	17					
Alternate Key Position	A, B, C, D, E, N = Normal per MIL-DTL-38999					
DisplayPort Orientation	H = Horizontal V = Vertical					

Material and Finish		
NF	Aluminum	Cadmium, Olive Drab Over Electroless Nickel (500 Hour Salt Spray)
ME		Electroless Nickel (96 Hour Salt Spray)
ZR		Black Zinc-Nickel (Tri-Valent CR)
XM	Composite	Electroless Nickel
Z1	Stainless Steel	Passivate
AB	Marine Bronze	None (Clean Only)

Connector Style	
00	Wall mount receptacle with slotted holes
D0	Wall mount receptacle with round holes
CM	Wall mount receptacle with metric clinch nuts
CS	Wall mount receptacle with standard clinch nuts
07	Rear panel mount, jam nut receptacle

Additional material / finish options available consult factory

00 - WALL MOUNT RECEPTACLE WITH SLOTTED HOLES



NOTES

- Interpret drawing per ASME Y14.5 - 2009.
- Modified major diameter 31.80 - 31.95 (1.252 - 1.257).
- Material/finishes:
 - Shell, jam nut: see Material/Finish table
 - (Composite coupling nut no plating required).
 - Seals: silicone based elastomer
 - Hardware: stainless steel/passivated
- Displayport
 - Housing: thermoplastic/N.A.
 - Shell: copper alloy/nickel plated
 - Terminal: copper alloy/ gold plated
- Displayport specifications:
 - Performance: see note 8.
 - D.W.V.: 500 VAC (unmated)
 - I.R.: 100 Mega ohms min.
 - Operating temperature range: -20°C to +85°C
- Front panel mount only.
- Receptacle connector designed to meet IP68 unmated condition.
- Performance: design meets displayport 1.4 benchmark data transfer rate requirements.



DISPLAYPORT

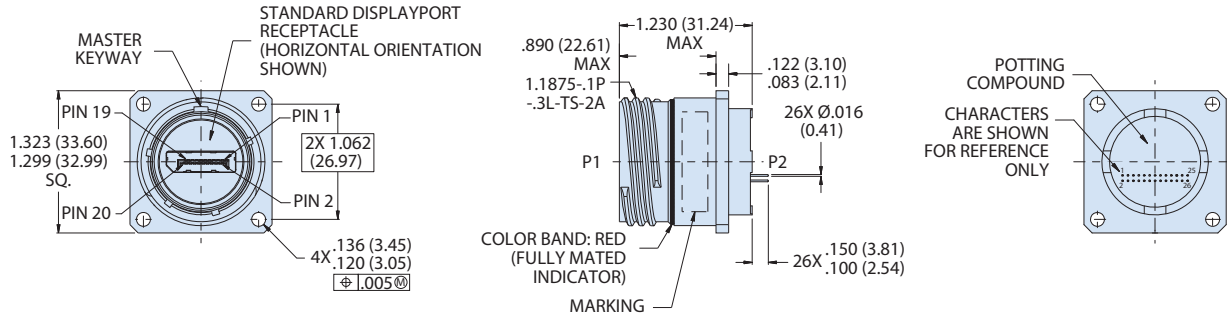
MIL-DTL-38999 Series III Type Connectors



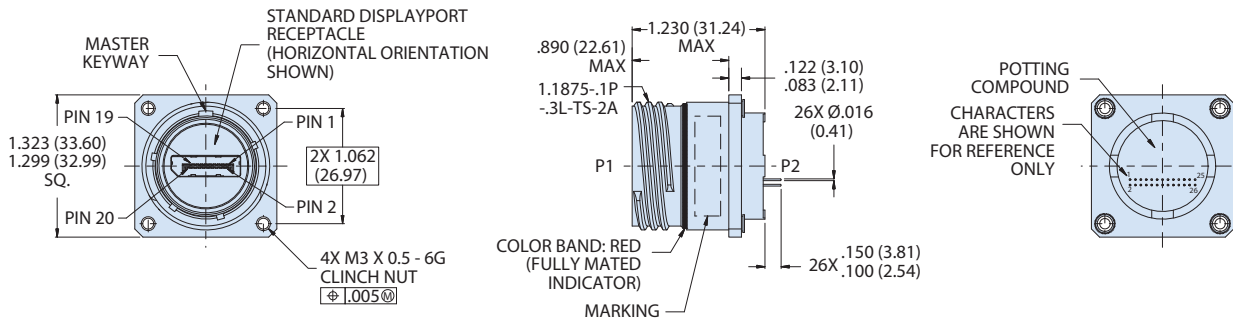
233-379 Connector receptacle with DisplayPort to PC tail termination

N

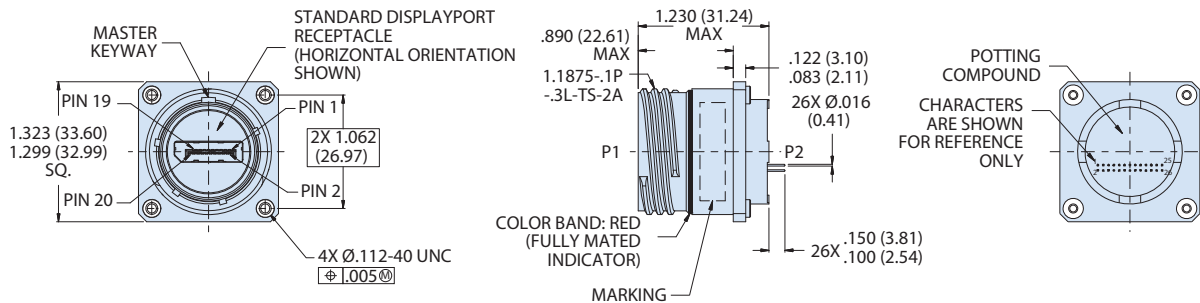
DO - WALL MOUNT RECEPTACLE WITH ROUND HOLES



CM - WALL MOUNT RECEPTACLE WITH METRIC CLINCH NUTS



CS - WALL MOUNT RECEPTACLE WITH STANDARD CLINCH NUTS





DISPLAYPORT

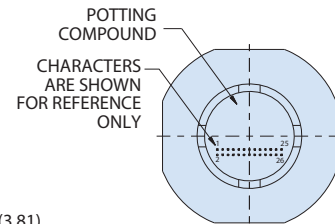
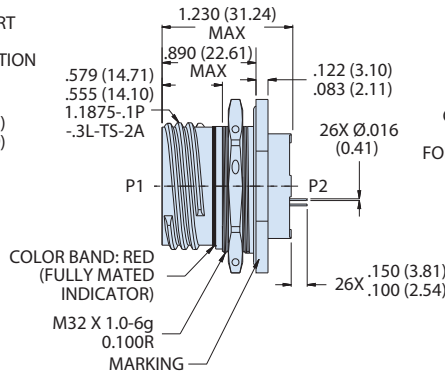
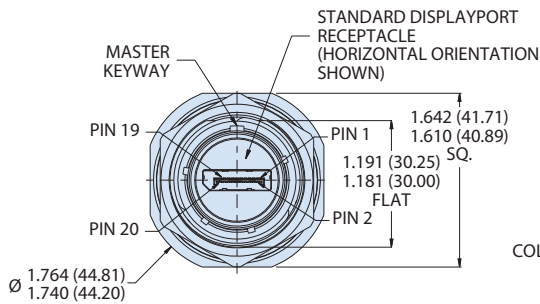
MIL-DTL-38999 Series III Type Connectors



233-379 Connector receptacle with DisplayPort to PC tail termination

N

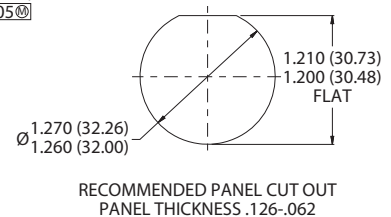
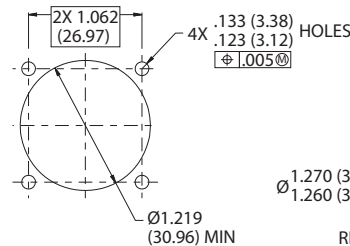
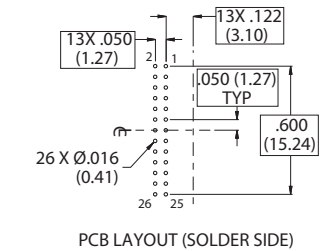
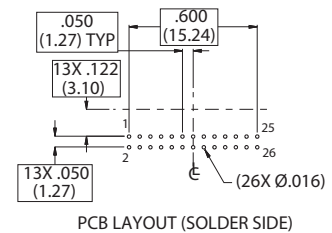
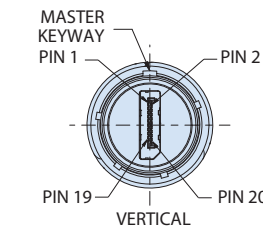
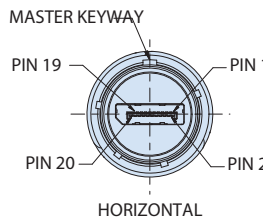
07 - JAM NUT MOUNT RECEPTACLE



WIRING DIAGRAM

SIGNAL NAME	P1 (DP CONNECTOR SIDE)	P2 (PCB SIDE)
ML_LANE 0(p)	1	3 ML_LANE 0(p)
ML_LANE 0(n)	3	7 ML_LANE 0(n)
GND	2	5 GND
ML_LANE 1(p)	4	9 ML_LANE 1(p)
ML_LANE 1(n)	6	13 ML_LANE 1(n)
GND	5	11 GND
ML_LANE 2(p)	7	15 ML_LANE 2(p)
ML_LANE 2(n)	9	19 ML_LANE 2(n)
GND	8	17 GND
ML_LANE 3(p)	10	21 ML_LANE 3(p)
ML_LANE 3(n)	12	25 ML_LANE 3(n)
GND	11	23 GND
CONFIG1	13	10 CONFIG1
CONFIG2	14	8 CONFIG2
AUX CH(p)	15	20 AUX CH(p)
AUX CH(n)	17	22 AUX CH(n)
GND	16	18 GND
HOT PLUG DETECT	18	14 HOT PLUG DETECT
DP_PWR RETURN	19	24 DP_PWR RETURN
DP_PWR	20	26 DP_PWR
		12 GND
		6 GND
		1 NC
		2 NC
		16 NC
		4 (TO SHIELD)
SHIELD	SHIELD	

DISPLAYPORT ORIENTATION OPTIONS (PARTIAL FRONT VIEWS SHOWN)



RECOMMENDED MOUNTING HOLES
PANEL THICKNESS .126-.062