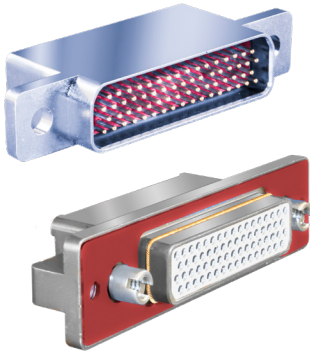


HIGH-TEMPERATURE TOLERANT ThermaRex HT Interconnect Ecosystem



Series 79 High-Performance Rectangular 797-756 Plug • 797-757 Receptacle

THERMAREX™ HT



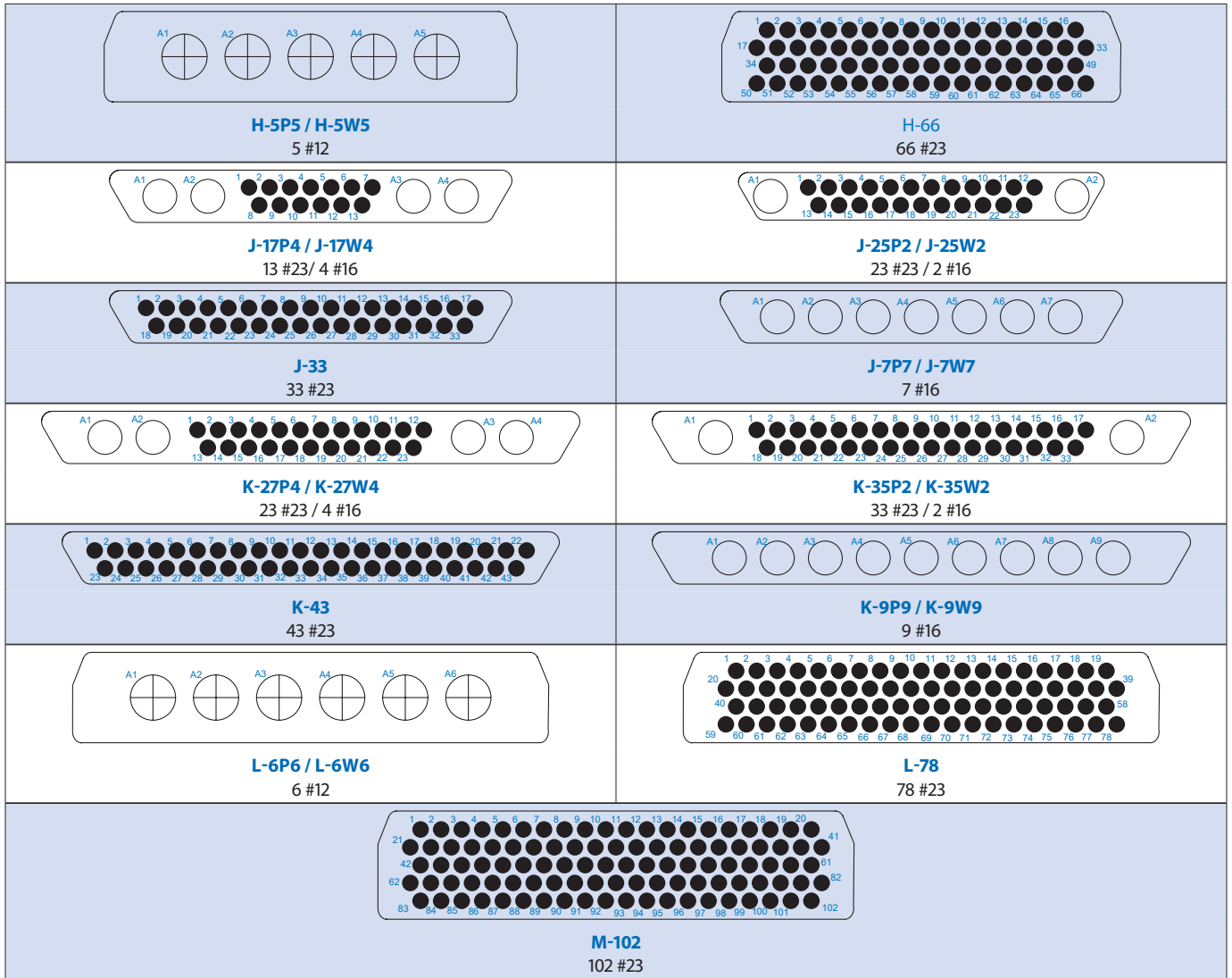
How To Order ThermaRex Series 79 connectors					
Sample Part Number	797	-756	S	H-29P7	E
Series / Basic Part No.	797 High-temperature ThermaRex Series 79 crimp-contact rectangular				
Connector Type	-756 = Plug -757 = Receptacle				
Contact Type	S = Socket (for -756 Plug connectors) P = Pin (for -757 Receptacle connectors)				
Insert Arrangement	Per 799-009. See insert arrangement tables below				
EMI Spring Option	E = With EMI spring N = No EMI spring (Only available on plug connectors)				

- Service rating up to 300°C
- Vibration-resistant threaded coupling
- High-temperature ceramic insulators and silicone seals
- Durable stainless steel construction
- No EMI groove and spring option for connector with insert arrangements G-33 or G-13P3.

ThermaRex High-Temperature Crown Ring Contact Arrangements (pin mating face shown)				
 A-5 5 #23	 B-2P2 / B-2W2 2 #16	 B-9 9 #23	 C-13 13 #23	 D-15 15 #23
 D-3P3 / D-3W3 3 #16	 D-7P2 / D-7W2 5 #23 / 2 #16	 E-11P2 / E-11W2 9 #23 / 2 #16	 E-19 19 #23	
 E-7P3 / 4 #23 3 #16	 F-15P2 / F-15W2 13 #23 / 2 #16	 F-23 23 #23		
 F-5P5 / F-5W5 5 #16			 G-33 33 #23	
 H-10P4 / H-10W4 6 #23 / 4 #12			 H-29P7 22 #23 / 7 #16	
 H-36P2 / H-36W2 34 #23 / 2 #12			 H-54P2 / H-54W2 52 #23 / 2 #16	

Series 79 High-Performance Rectangular 797-756 Plug • 797-757 Receptacle

THERMAREX™ HT



MATERIAL / FINISH NOTES

- Housing, Float Mount Hardware, Guide Socket - Stainless Steel / Passivated
- Pin and Socket Contact - Copper Alloy / Gold Plated
- Socket Hood - Stainless Steel / Passivated
- Insulators - High Grade Ceramic / N/A
- Grommet and Interfacial Seal - High Temperature Silicone / N/A
- Retainer Clip Stainless Steel / N/A
- Emi Spring - Stainless Steel / Gold Plated

ELECTRICAL PERFORMANCE

- Contacts: Size 23 = 5 Amps Max. / Size 16 = 13 Amps Max. / Size 12 = 23 Amps Max.
- DWV - 500 Vac, with 5 Milliampers Max. leakage
- Insulation Resistance Resistance - 5,000 Megohms Max.
- Operating Temperature: -65°C to +300°C

BLIND MATE MISALIGNMENT ALLOWANCE

- Shell Sizes A, B, C, D, E, F, G, J, K:
±.040 (1.02) Allowable misalignment from centerline
- Shell Sizes H, L:
±.040 (1.02) Allowable misalignment from centerline
- Shell Size M:
±.050 (1.27) allowable misalignment from centerline

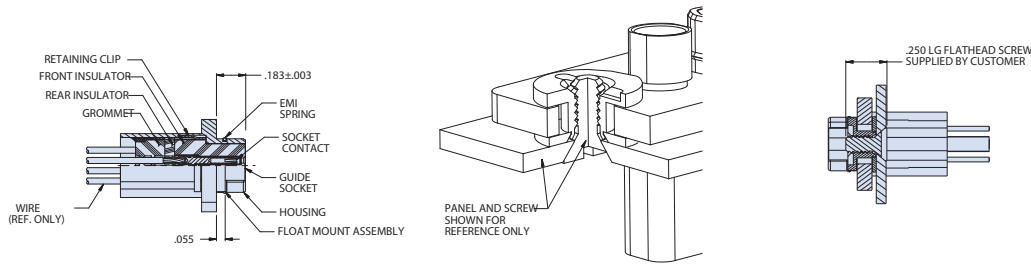
HIGH-TEMPERATURE TOLERANT ThermaRex HT Interconnect Ecosystem



Series 79 High-Performance Rectangular 797-756

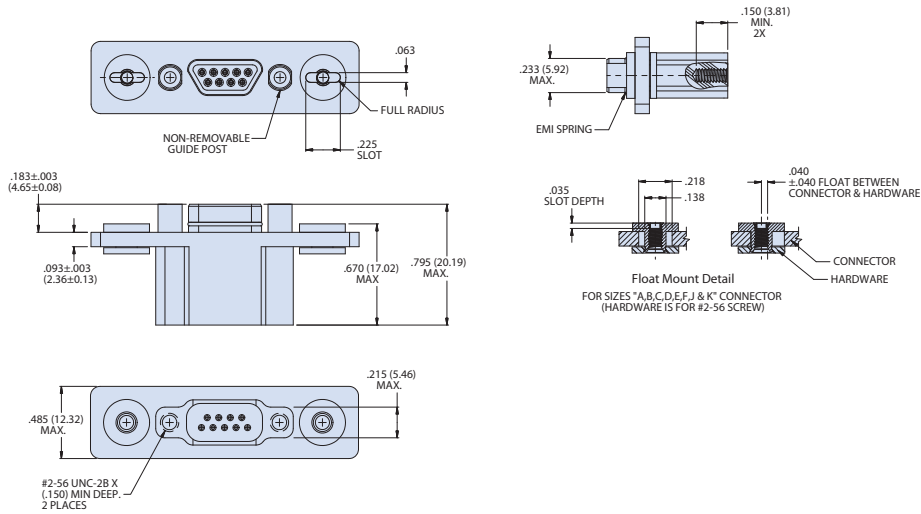
THERMAREX™ HT

CROSS-SECTIONAL VIEW AND HARDWARE

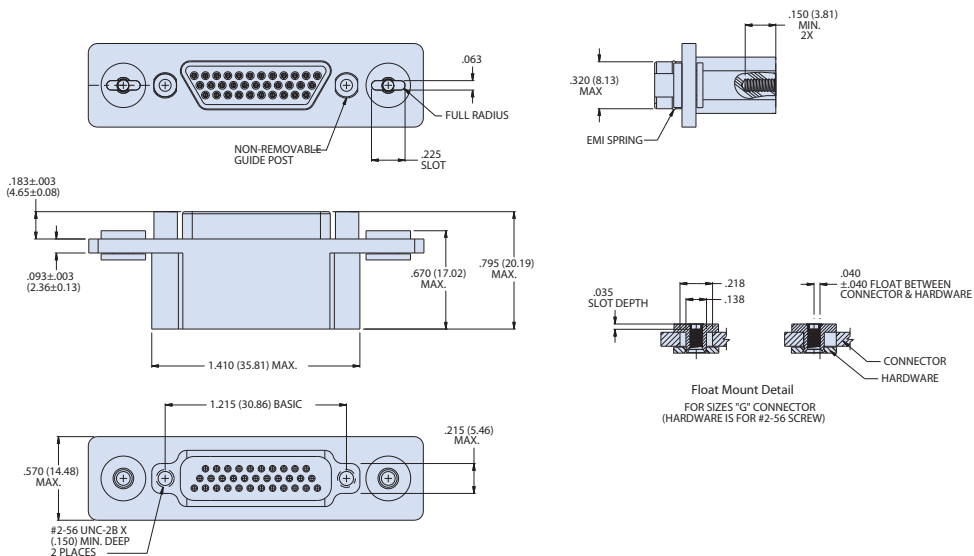


CONNECTOR SUPPLIED WITH NON-REMOVABLE GUIDE POST FOR BLIND MATE APPLICATION.
FLOAT MOUNT BUSHING HAS SHELL SIZES "M", "L" & "H" WITH #4-40 UNC-2B THREAD. ALL OTHER SIZES HAVE #2-56 UNC-2B THREAD.

SHELL SIZES A, B, C, D, E, F, J, K

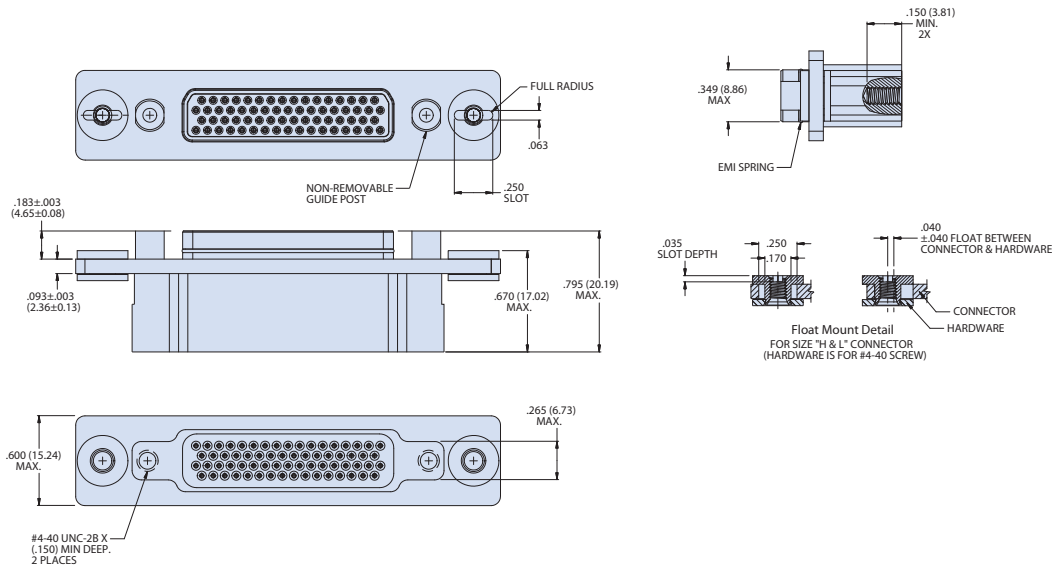


SHELL SIZE G

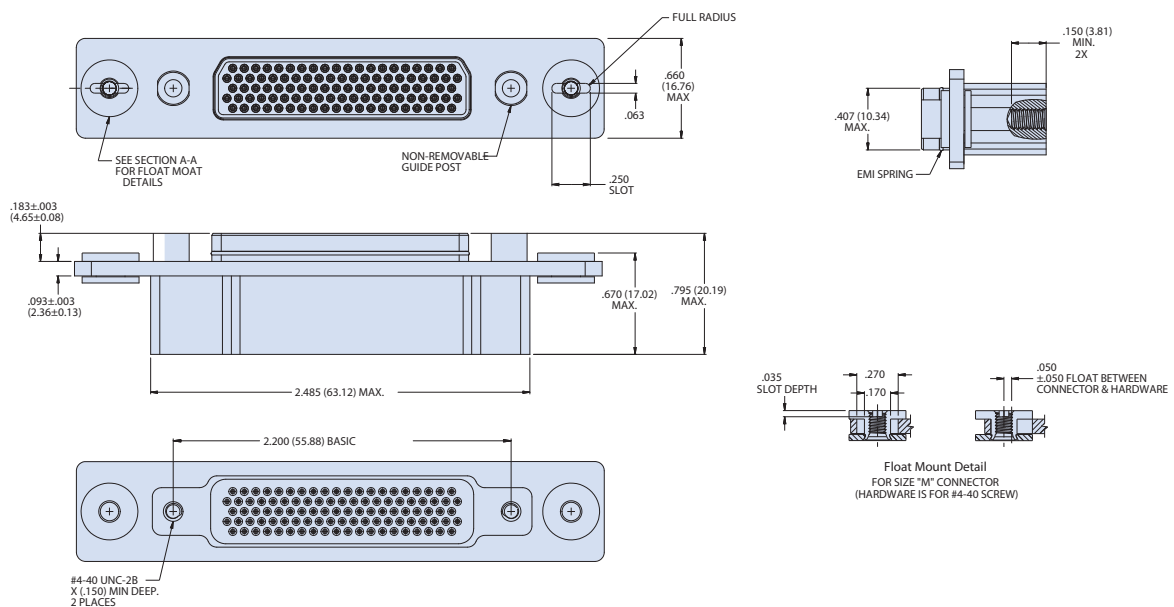


Series 79 High-Performance Rectangular 797-756

SHELL SIZES H AND L



SHELL SIZE M



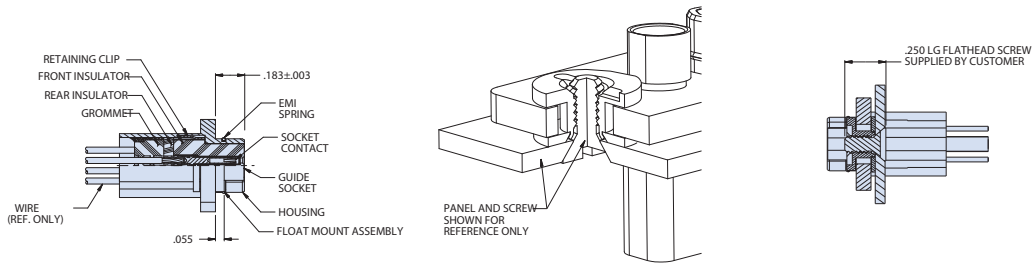
HIGH-TEMPERATURE TOLERANT ThermaRex HT Interconnect Ecosystem



Series 79 High-Performance Rectangular 797-757

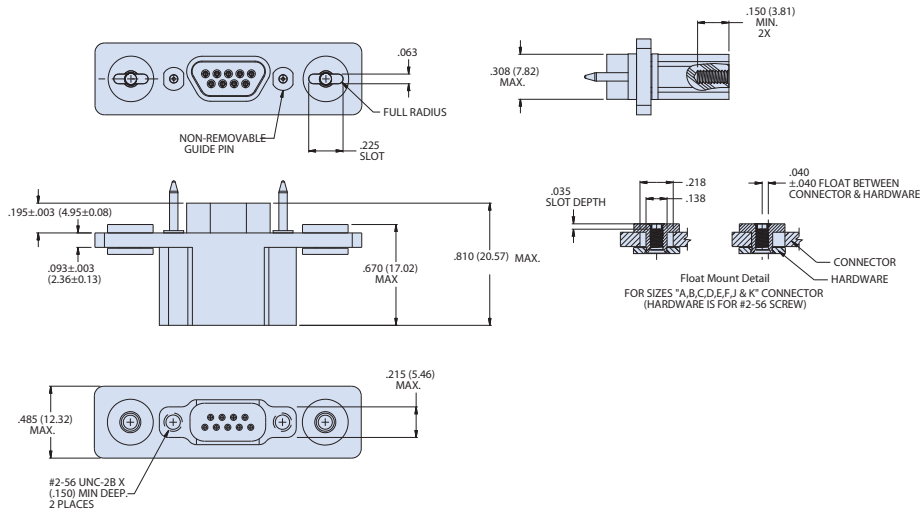
THERMAREX™ HT

CROSS-SECTIONAL VIEW AND HARDWARE

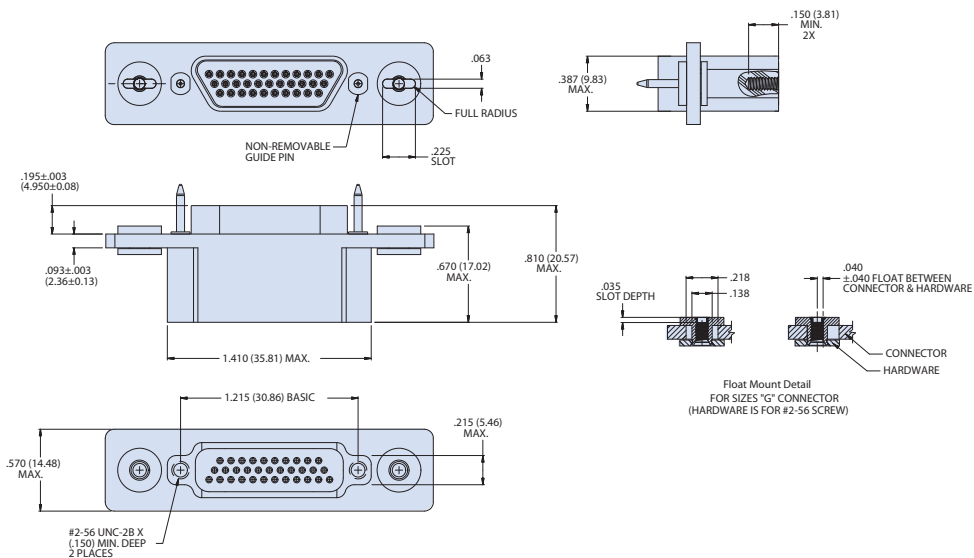


CONNECTOR SUPPLIED WITH NON-REMOVABLE GUIDE POST FOR BLIND MATE APPLICATION.
FLOAT MOUNT BUSHING HAS SHELL SIZES "M", "L" & "H" WITH #4-40 UNC-2B THREAD. ALL OTHER SIZES HAVE #2-56 UNC-2B THREAD.

SHELL SIZES A, B, C, D, E, F, J, K

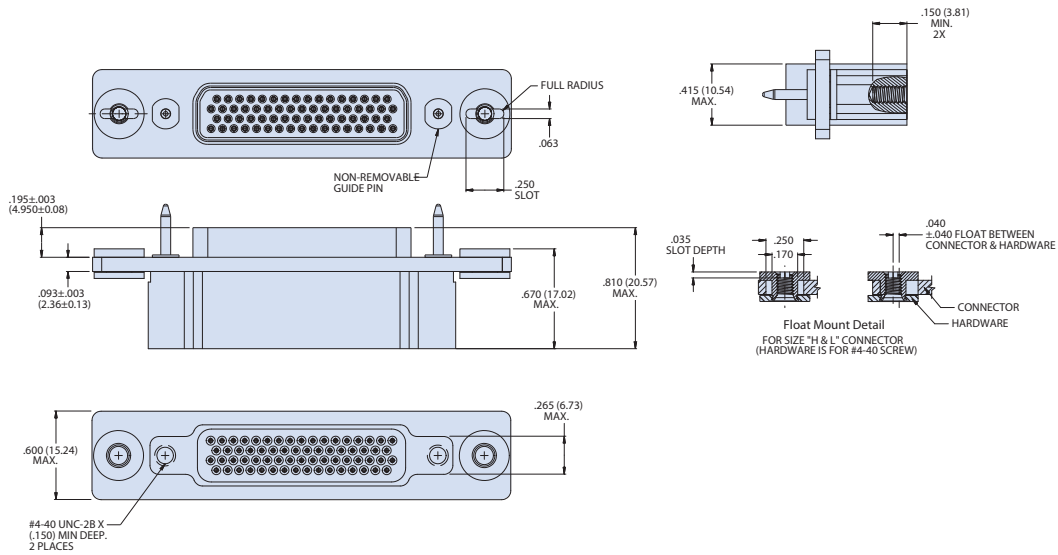


SHELL SIZE G



Series 79 High-Performance Rectangular 797-757

SHELL SIZES H AND L



SHELL SIZE M

