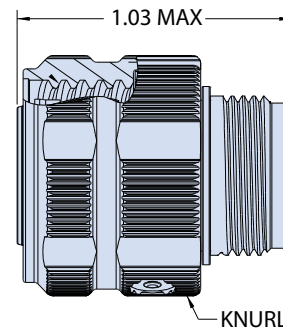
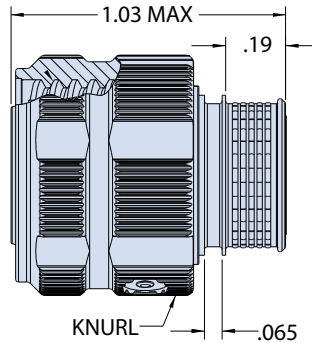
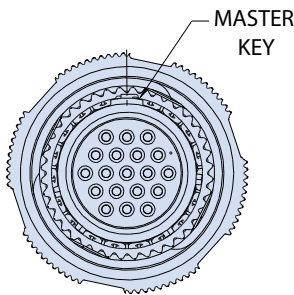


## Series 806 Micro Miniature Circular Packaging 806-042 Plug • 806-041 Jam-Nut Receptacle

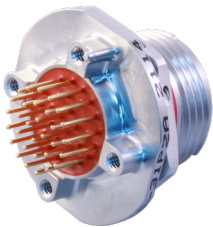
### SERIES 806 MIL-AERO PLUG



How To Order ThermaRex Series 806 Mil-Aero Plug					
Sample Part Number	<b>806-042</b>	Z1	11-19	S	M A
Series / Basic Part No.	<b>806-042</b> High-temperature ThermaRex Series 806 plug				
Material/Finish	Z1 = Passivated CRES				
Shell Size/Insert Arr.	Per 806-015, See tables				
Contact Style	P = Pin A = Pin connector, less contacts S = Socket B = Socket connector, less contacts				
Shell Style	M = Metric accessory thread B = Banding platform				
Polarization Keyway Code	A, B, C, D, E, F				



### SERIES 806 MIL-AERO JAM NUT RECEPTACLE WITH PCB STANDOFF



How To Order ThermaRex Series 806 Mil-Aero Jam Nut Receptacle				
Sample Part Number	<b>806-041</b>	Z1	11-19	P N
Series / Basic Part No.	<b>806-041</b> High-temperature ThermaRex Series 806 jam nut receptacle with PCB standoff			
Material/Finish	Z1 = Passivated CRES			
Shell Size/Insert Arr.	Per 806-015, See tables			
Contact Style	P = Pin contacts only			
Polarization Keyway Code	A, B, C, D, E, F			

