

HIGH-TEMPERATURE TOLERANT ThermaRex HT Series 806 Mil-Aero Connectors Micro-miniature with D38999-caliber performance



- Operating temperature -65°to +300°C
- Vibration-resistant threaded coupling
- High-temperature ceramic insulators and silicone seals
- Durable stainless steel construction

MATERIAL / FINISH NOTES

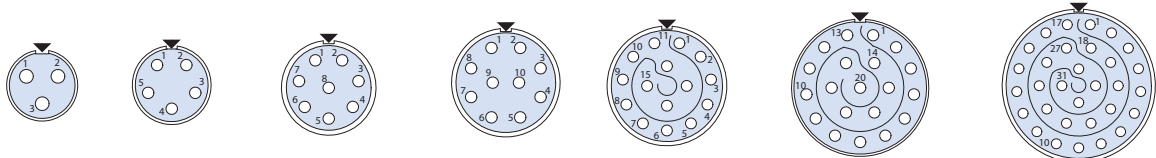
Plug and receptacle shells, barrel, coupling nut, jam nut, hex nut - Passivated CRES

Insulator - high-grade ceramic dielectric

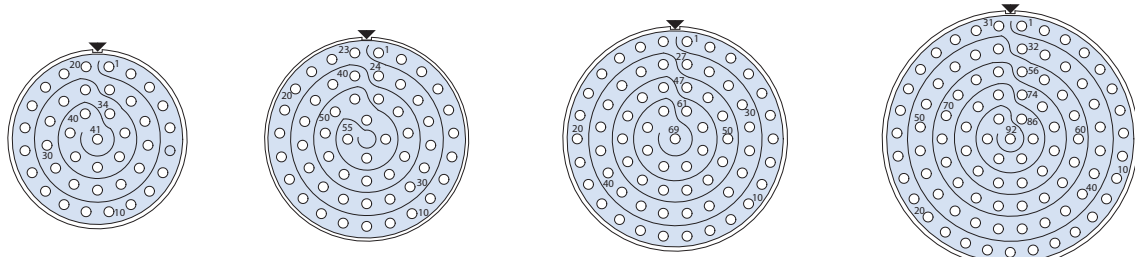
Grommet, interfacial seals - high-temp silicone

Contacts - copper alloy, gold plated, CRES hood and crown ring on socket contacts

Series 806 Arrangements with #20 Contacts (1800 Vac, 7.5 A, pin mating face shown)

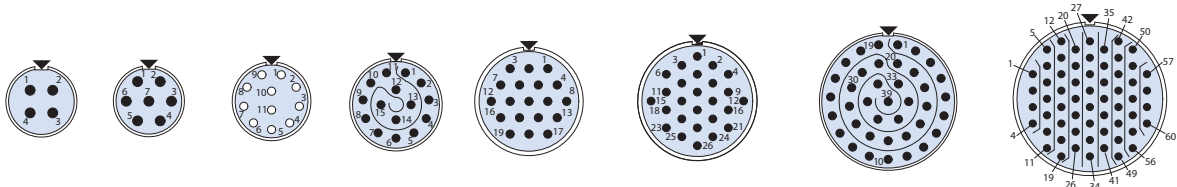


Arrangement No. **8-3** **9-5** **10-8** **11-10** **12-15** **14-20** **16-31**

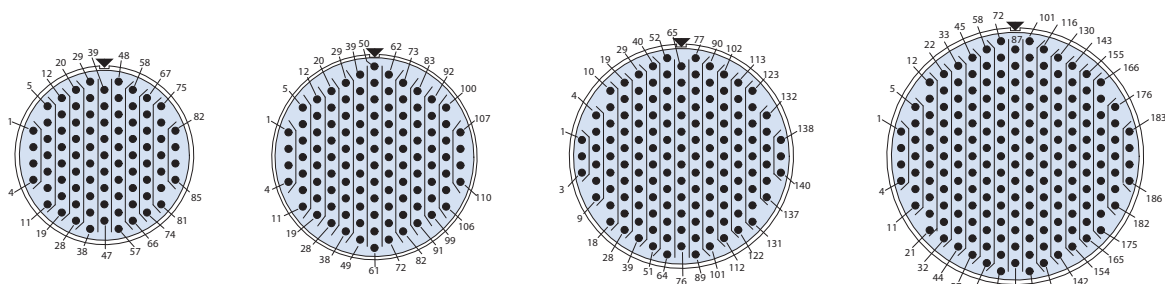


Arrangement No. **18-41** **20-55** **22-69** **24-92**

Series 806 Arrangements with #22HD Contacts (1300 Vac, 5 A, pin mating face shown)

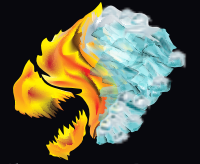


Arrangement No. **8-4** **8-7** **9-11** **10-15** **11-19** **12-26** **14-39** **16-60**



Arrangement No. **18-85** **20-110** **22-140** **24-186**

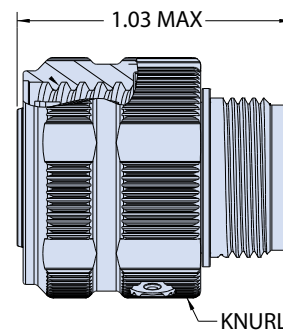
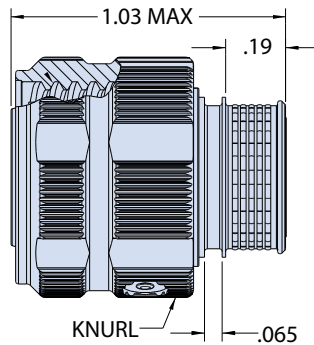
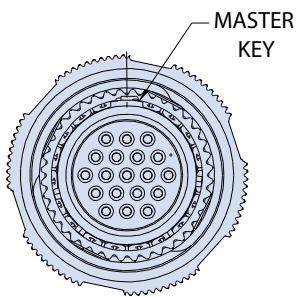
HIGH-TEMPERATURE TOLERANT ThermaRex HT Series 806 Mil-Aero Connectors Micro-miniature with D38999-caliber performance



ThermaRex™
HT

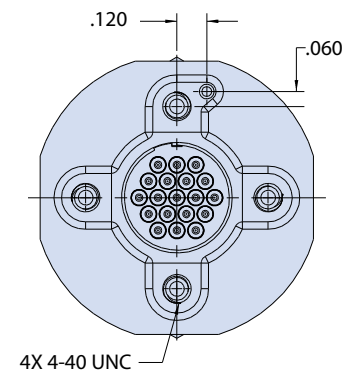
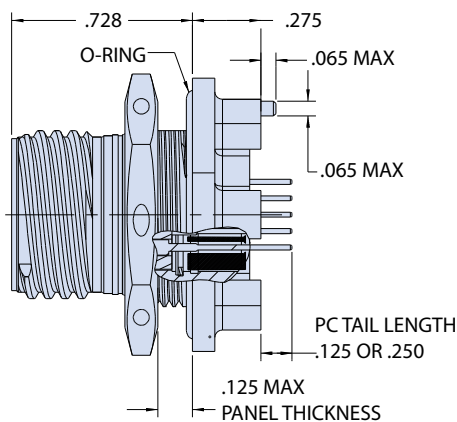
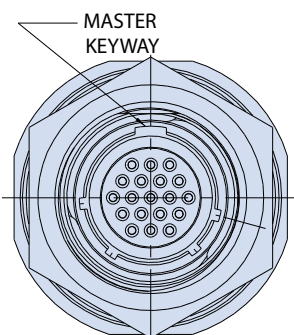
SERIES 806 MIL-AERO PLUG

How To Order ThermaRex Series 806 Mil-Aero Plug							
	SAMPLE PART NUMBER	806-042	Z1	11-19	S	M	A
Series / Basic Part No.	806-042 High-temperature ThermaRex Series 806 plug						
Material/Finish	Z1 = Passivated CRES						
Shell Size/Insert Arr.	Per 806-015, See tables						
Contact Style	P = Pin A = Pin connector, less contacts S = Socket B = Socket connector, less contacts						
Shell Style	M = Metric accessory thread B = Banding platform						
Polarization Keyway Code	A, B, C, D, E, F						



SERIES 806 MIL-AERO JAM NUT RECEPTACLE WITH PCB STANDOFF

How To Order ThermaRex Series 806 Mil-Aero Jam Nut Receptacle						
	SAMPLE PART NUMBER	806-041	Z1	11-19	P	N
Series / Basic Part No.	806-041 High-temperature ThermaRex Series 806 jam nut receptacle with PCB standoff					
Material/Finish	Z1 = Passivated CRES					
Shell Size/Insert Arr.	Per 806-015, See tables					
Contact Style	P = Pin contacts only					
Polarization Keyway Code	A, B, C, D, E, F					

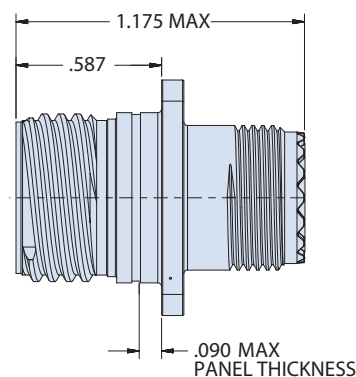
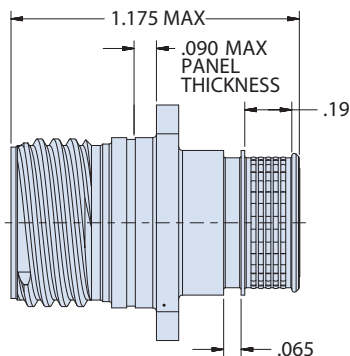
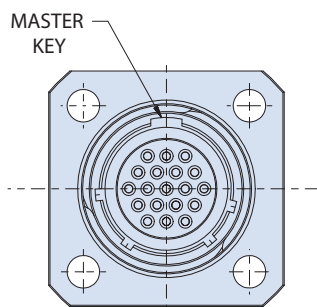


HIGH-TEMPERATURE TOLERANT ThermaRex HT Series 806 Mil-Aero Connectors Micro-miniature with D38999-caliber performance



SERIES 806 MIL-AERO SQUARE FLANGE RECEPTACLE

How To Order ThermaRex Series 806 Mil-Aero Square Flange Receptacle							
	SAMPLE PART NUMBER	806-052	Z1	11-19	S	M	T A
Series / Basic Part No.	806-052 High-temperature ThermaRex Series 806 square-flange receptacle						
Material/Finish	Z1 = Passivated CRES						
Shell Size/Insert Arr.	Per 806-015, See tables						
Contact Style	P = Pin A = Pin connector, less contacts S = Socket B = Socket connector, less contacts						
Shell Style	M = Metric accessory thread B = Banding platform						
Panel Mounting	T = Thru-hole						
Polarization Keyway Code	A, B, C, D, E, F						



HIGH-TEMPERATURE TOLERANT ThermaRex HT Series 806 Mil-Aero Connectors Micro-miniature with D38999-caliber performance



SERIES 806 MIL-AERO JAM NUT RECEPTACLE

How To Order ThermaRex Series 806 Mil-Aero Jam Nut Receptacle							
	SAMPLE PART NUMBER	806-053	Z1	11-19	S	M	A
Series / Basic Part No.	806-053 High-temperature ThermaRex Series 806 jam-nut receptacle						
Material/Finish	Z1 = Passivated CRES						
Shell Size/Insert Arr.	Per 806-015, See tables						
Contact Style	P = Pin A = Pin connector, less contacts S = Socket B = Socket connector, less contacts						
Shell Style	M = Metric accessory thread B = Banding platform						
Polarization Keyway Code	A, B, C, D, E, F						

