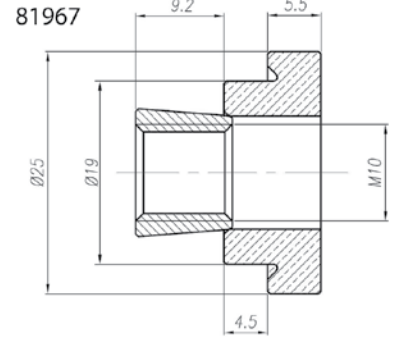
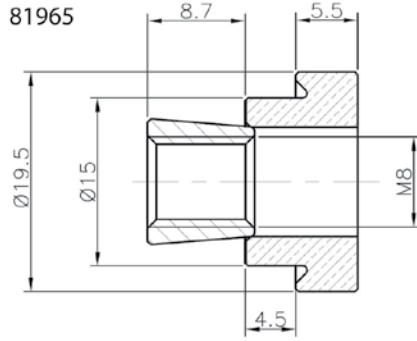
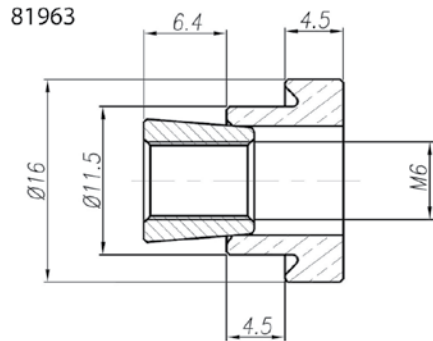
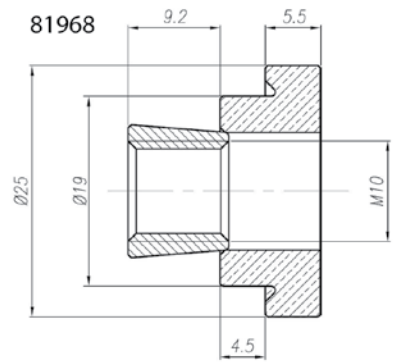
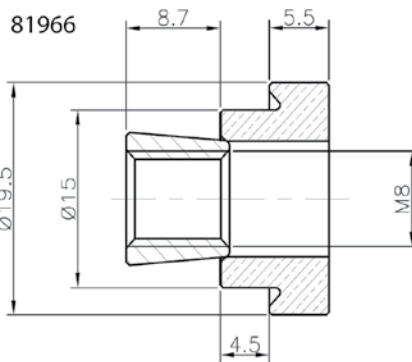
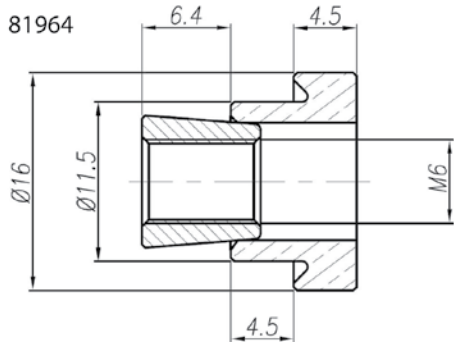


Glenair Earth Bonding System Female Earth Bonds Selection Chart and Dimensions



Part Number	Thread Size	Hole Size Diameter (mm)	Plate Thickness (mm)	Torque Value (Nm)	Setting Tool	Screw Adaptor
81963	M6	11.5 / 11.7	1.5 - 4	4	PMT6*	VAV06CV045
81965	M8	15.0 / 15.2	1.5 - 4	10	PMT8*	VAV08CV050
81967	M10	19.0 / 19.2	2 - 4	20	PMT10*	VAV10CV050

Earth Bosses for Aluminium



Part Number	Thread Size	Hole Size Diameter (mm)	Plate Thickness (mm)	Torque Value (Nm)	Setting Tool	Screw Adaptor
81964	M6	11.5 / 11.7	1.5 - 4	4	PMT6*	VAV06CV045
81966	M8	15.0 / 15.2	1.5 - 4	10	PMT8*	VAV08CV050
81968	M10	19.0 / 19.2	2 - 4	20	PMT10*	VAV10CV050

* Denotes use of screw adaptor for setting of earth boss