



10K PSI / 700 BAR / 7000M

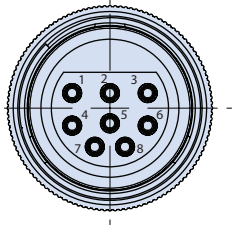
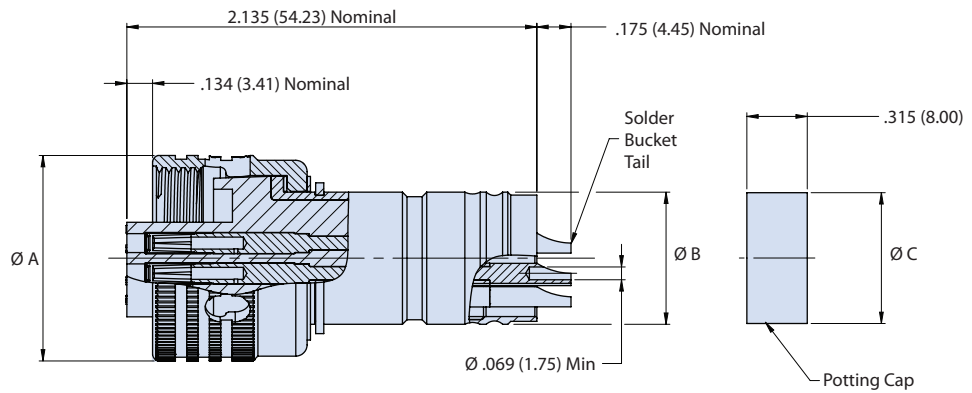
SuperG55™ High-Pressure Subsea



Attachable, G55 A1 cable connector plug (CCP-AT) and G55 OFA1 cable connector plug, oil filled (CCP-OF)



SuperG55™ CCP and CCP-OF - How To Order					
Sample Part Number	G55	A1	15	03	-0001
Series	SuperG55™ = Underwater dry-mate				
Connector Style	A1 = Cable connector plug, attachable OFA1 = Oil filled cable connector plug, attachable				
Shell Size	15, 20, 24				
Number of Contacts	See contact arrangements (page 23)				
Cable Length	In feet (0001 = 1 foot, 0002 = 2 feet, etc.)				



Dimensions			
Shell Size	Dim A ±.006 (.15)	Dim B ±.002 (.05)	Dim C ±.002 (.05)
15	1.070 (27.18)	.688 (17.48)	.681 (17.30)
20	1.450 (36.85)	1.093 (27.76)	1.073 (27.26)
24	1.700 (43.20)	1.312 (33.32)	1.288 (32.72)

NOTES

- 1508 Pin configuration shown. Other pin configurations available
- All contacts / pin configurations suit 16 AWG wire

SUBSEA/ DEEPWATER: SUPERG55™

