



SERIES 701 SeaKing™ Junior Dry-Mate Subsea Connectors

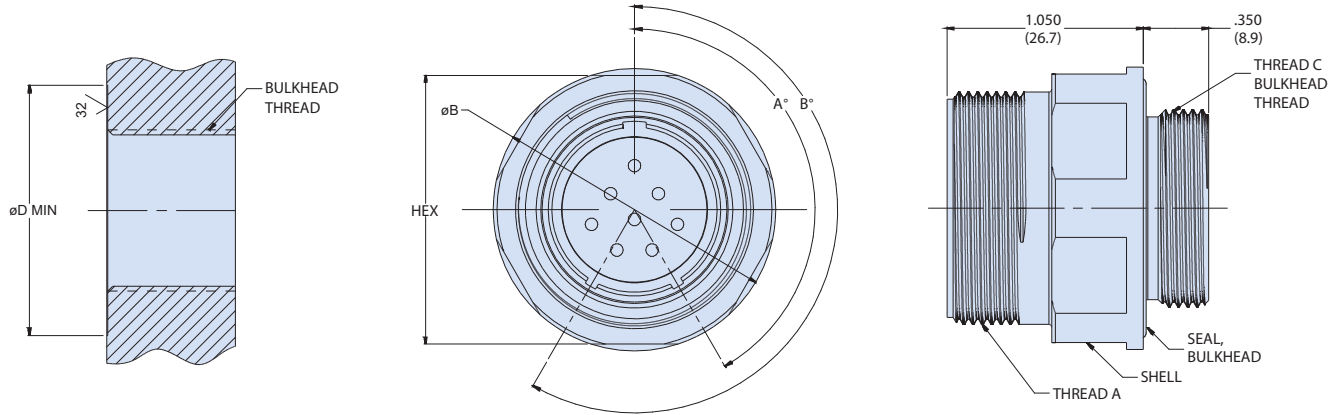


701-017 Bulkhead Connector Receptacle, high density with crimp removable contacts



| HOW TO ORDER | | | | | |
|--------------------------------|---|--------|-----|---|---|
| Sample Part Number | 701-017 | -17-08 | -Z1 | P | N |
| Product Series | 701-017 = SeaKing Junior | | | | |
| Shell Size-Contact Arrangement | See Contact Arrangements table | | | | |
| Barrel Material | Z1 = 316 Stainless Steel* TC = Titanium XO = PEEK** | | | | |
| Contact Style | A = Pin Insert (No Contacts Included) B = Socket Insert (No Contacts Included) P = Pin S = Socket | | | | |
| Key Position | A, B, C, D, E (See table) | | | | |

* 316 Stainless steel for sizes 09 through 15 2507 Super duplex for sizes 11 through 25
** Consult factory for pressure rating



| DIMENSIONS | | | | | | | | | | |
|------------|-------------------|-------|------|---------|------|-------------------|-------|------|---------------|-----------|
| Shell Size | Thread A | B MAX | | Hex | | Thread C | D Min | | Bulkhead Seal | Bore Seal |
| | | inch | mm | inch | mm | | inch | mm | | |
| 09 | 0.7500-20 UNEF-2A | 1.025 | 26.0 | 15/16 | 23.8 | 0.5625-20 UN-2A | 1.030 | 26.2 | 2-018 | 2-014 |
| 11 | 0.8750-20 UNEF-2A | 1.150 | 29.2 | 1 1/16 | 27.0 | 0.6875-20 UN-2A | 1.160 | 29.5 | 2-020 | 2-016 |
| 13 | 1.0000-20 UNEF-2A | 1.275 | 32.4 | 1 3/16 | 30.2 | 0.8125-20 UNEF-2A | 1.310 | 33.3 | 2-022 | 2-018 |
| 15 | 1.1250-20 UN-2A | 1.410 | 35.8 | 1 5/16 | 33.3 | 0.9375-20 UNEF-2A | 1.430 | 36.3 | 2-024 | 2-020 |
| 17 | 1.2500-20 UN-2A | 1.525 | 38.7 | 1 7/16 | 36.5 | 1.0625-20 UN-2A | 1.560 | 39.6 | 2-026 | 2-022 |
| 19 | 1.3750-20 UN-2A | 1.650 | 41.9 | 1 9/16 | 39.7 | 1.1875-20 UN-2A | 1.680 | 42.7 | 2-028 | 2-024 |
| 21 | 1.5000-20 UN-2A | 1.775 | 45.1 | 1 11/16 | 42.9 | 1.3125-20 UN-2A | 1.810 | 46.0 | 2-029 | 2-026 |
| 23 | 1.6250-20 UN-2A | 1.900 | 48.3 | 1 13/16 | 46.0 | 1.4375-20 UN-2A | 1.950 | 49.5 | 2-030 | 2-028 |
| 25 | 1.7500-20 UN-2A | 2.025 | 51.4 | 1 15/16 | 49.2 | 1.5625-20 UN-2A | 2.070 | 52.6 | 2-031 | 2-029 |

NOTES

Pressure rating: Mated condition - 5,000 PSI
Materials tested to:
- Salt spray, per MIL-STD-202 method 101
- Humidity, per MIL-STD-202 method 101
- Thermal cycle, per EIA-455-71
Single O-ring sealing.

MATERIAL/FINISH

Receptacle shell: See part number development
Contacts: Copper alloy, gold plated
Insulator: High grade rigid dielectric
Interfacial seal (pin inserts only) & grommet: Fluorosilicone
Seals: Nitrile

ALTERNATE KEY POSITIONS

| Position | A° | B° |
|----------|------|------|
| N | 150° | 210° |
| A | 75° | 210° |
| B | 95° | 230° |
| C | 140° | 275° |
| D | 75° | 275° |
| E | 95° | 210° |