



HIGH VOLTAGE SUBSEA SeaKing™ Power connectors for underwater primary power junctions



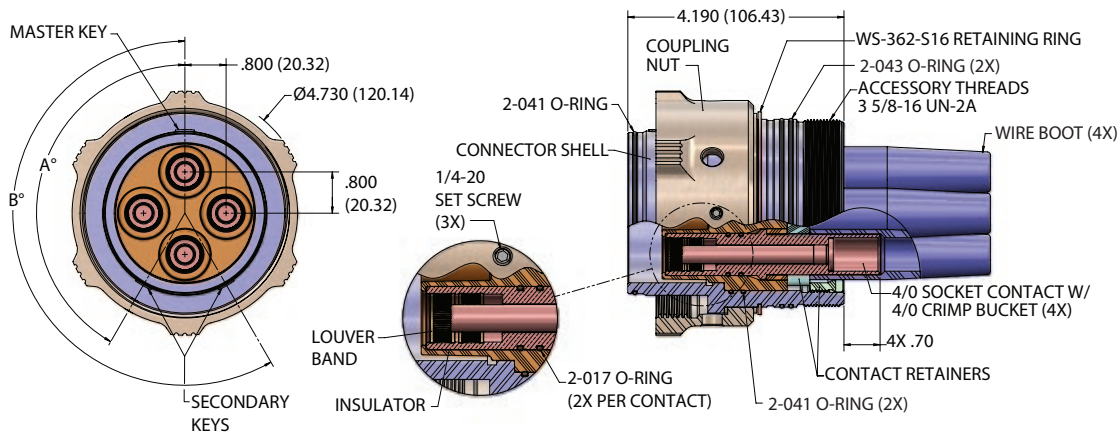
Size 64, 4-way #4/0 HV contact, 1kV, 350 amps/contact

How to Order			
Sample Part Number	707-0142	1	N
Series	707-0142 = SeaKing Power		
Connector Style	-1 = cable connector plug (CCP) -6 = flange connector receptacle (FCR) -7 = bulkhead connector receptacle (BCR)		
Key Position	N = normal, A, B, C; see key positions table		

Key Positions		
Position	A	B
N	150°	210°
A	75°	210°
B	95°	230°
C	140°	275°

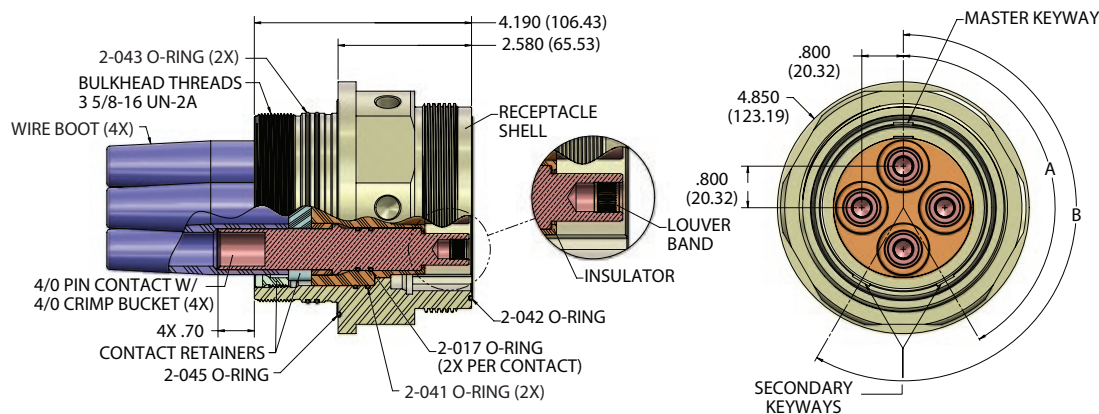
707-0142-1 SEAKING POWER, CABLE CONNECTOR PLUG (CCP), SIZE 64, 4-WAY #4/0 HV CONTACTS*

*Mates only with 707-0142-6 FCR or 707-0142-7 BCR



707-0142-7 SEAKING POWER, BULKHEAD CONNECTOR RECEPTACLE (BCR), SIZE 64, 4-WAY #4/0 HV CONTACTS*

*Mates only with 707-0142-1 CCP





HIGH VOLTAGE SUBSEA SeaKing™ Power connectors for underwater primary power junctions



Size 64, 4-way #4/0 HV contact, 1kV, 350 amps/contact

707-0142-6 SEAKING POWER, FLANGE CONNECTOR RECEPTACLE (FCR), SIZE 64, 4-WAY #4/0 HV CONTACTS*

*Mates only with 707-0142-1 CCP

