

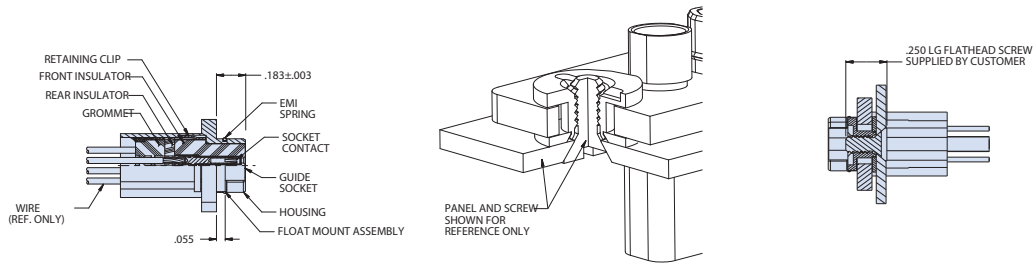


HIGH-TEMPERATURE TOLERANT ThermaRex HT Series 79



High-Performance Crimp-Contact Micro-D 797-756 Plug Details

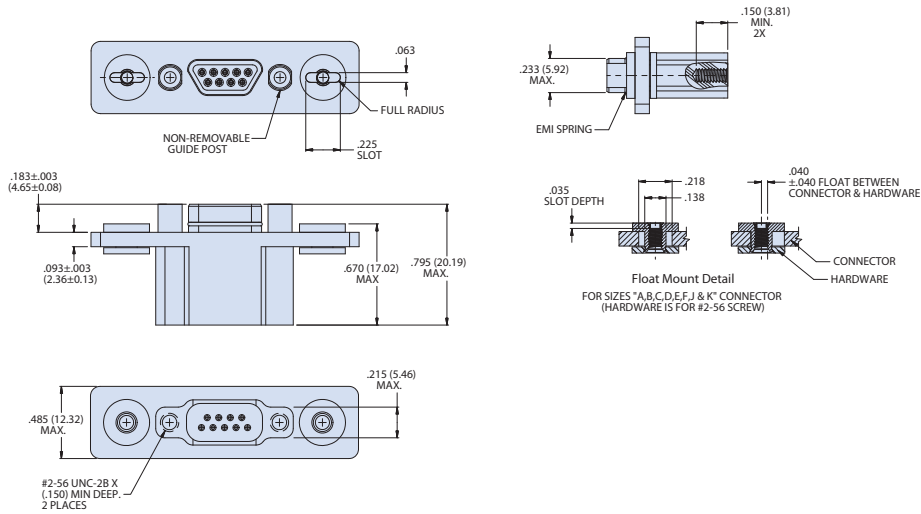
CROSS-SECTIONAL VIEW AND HARDWARE



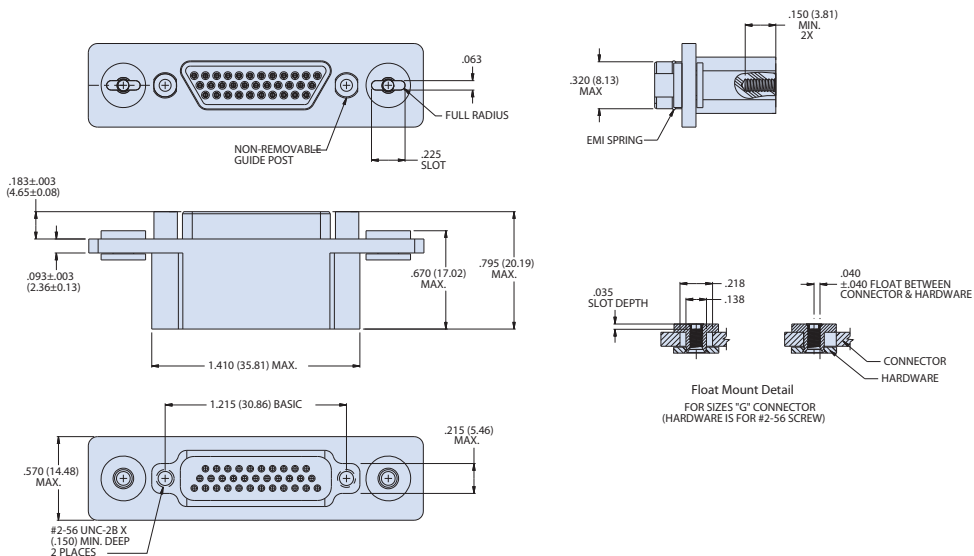
CONNECTOR SUPPLIED WITH NON-REMOVABLE GUIDE POST FOR BLIND MATE APPLICATION.

FLOAT MOUNT BUSHING HAS SHELL SIZES "M", "L" & "H" WITH #4-40 UNC-2B THREAD. ALL OTHER SIZES HAVE #2-56 UNC-2B THREAD.

SHELL SIZES A, B, C, D, E, F, J, K



SHELL SIZE G



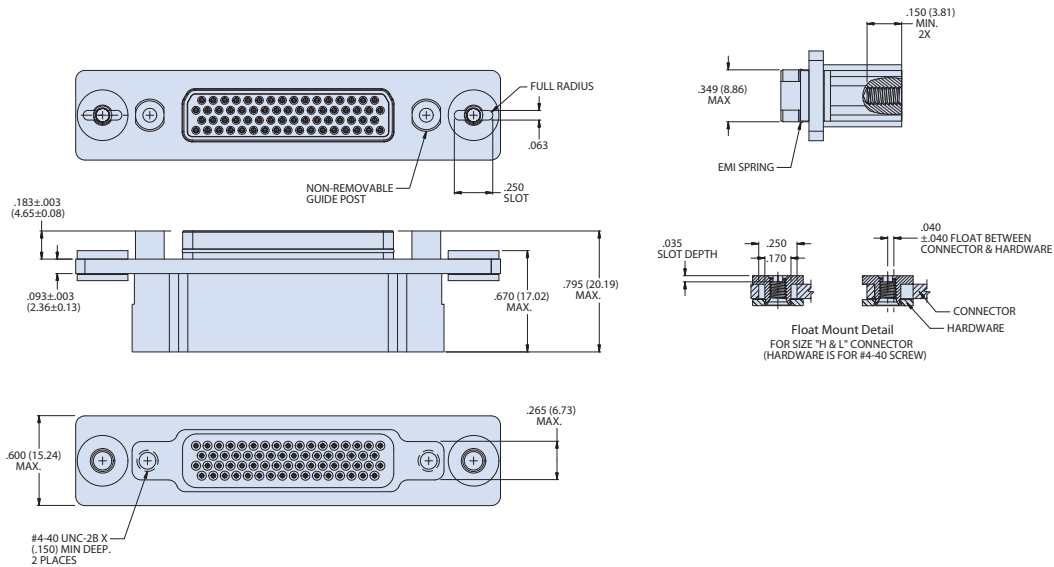


HIGH-TEMPERATURE TOLERANT ThermaRex HT Series 79



High-Performance Crimp-Contact Micro-D 797-756 Plug Details

SHELL SIZES H AND L



SHELL SIZE M

