

"ZERO-CROSSTALK" M83513 Micro-D VersaLink™ Connectors



179-266 • 179-269 • 179-295 VersaLink Jackpost Kits

MICRO-D VERSALINK CONNECTORS

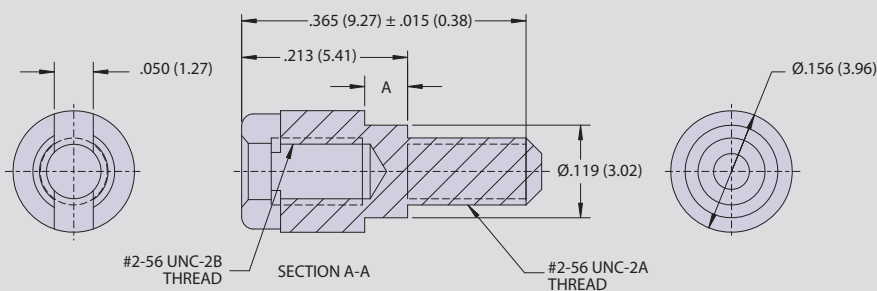
NOTES

- Kit contains two rear panel mount jackposts.
- Material/finish: S303SE corrosion resistant steel IAW ASTM A484 and ASTM A582 / passivated.
- Rear panel mount jackposts to be used on GHS4-RPM, GVLM-BR, GVL RPM-BR, and GVL RPM-BS connector assemblies.

DASH NUMBER

Dash No.	A ±.003 (±0.08)
1	.024 (0.61)
2	.041 (1.04)
3	.055 (1.40)
4	.086 (2.18)
5	.118 (3.00)
6	.073 (1.85)

PART NUMBER DEVELOPMENT		
Sample Part Number	179-266	-3
Series	179-266 = Versalink Rear Panel Mount Blind Hole Jackpost Kit	
Panel Thickness	1 = .032 2 = .047 3 = .062 4 = .093 5 = .125 6 = .080; In Inches	



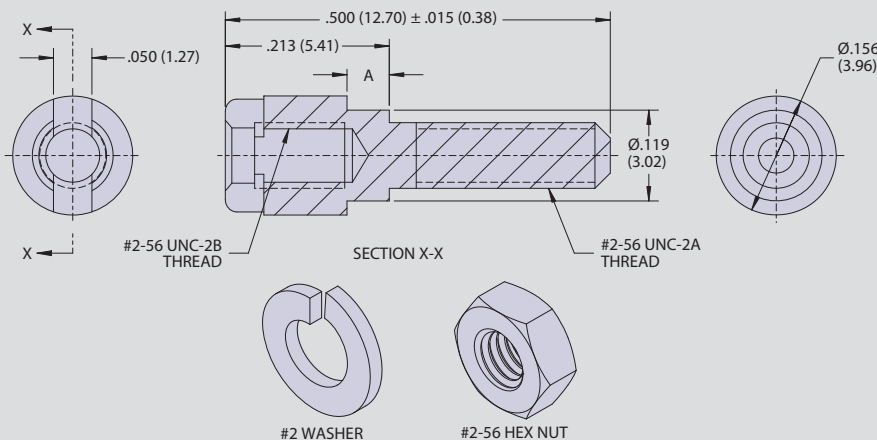
NOTES

- Kit contains two thru hole jackposts, two washers, and two hexnuts.
- Material/finish: S303SE corrosion resistant steel IAW ASTM A484 and ASTM A582 / passivated.
- Thru hole jackposts to be used on GHS4-M and GVLM-BS connector assemblies.

DASH NUMBER

Dash No.	A ±.003 (±0.08)
1	.024 (0.61)
2	.041 (1.04)
3	.055 (1.40)
4	.086 (2.18)
5	.118 (3.00)
6	.073 (1.85)

PART NUMBER DEVELOPMENT		
Sample Part Number	179-269	-3
Series	179-269 = Versalink Rear Panel Mount Jackpost Kit	
Panel Thickness	1 = .032 2 = .047 3 = .062 4 = .093 5 = .125 6 = .080; In Inches	



NOTES

- Kit contains two jackposts, two nuts, and two washers.
- Material/finish: CRES/ passivated.
- Thru hole jackposts to be used on GHS4-M and GVLM-BS connector assemblies.

DASH NUMBER

Dash No.	L	Series
1	.288 (7.32)	GHS4-M
2	.382 (9.70)	GVLM-BR, -BS
4	.452 (11.48)	GVLM-BSS

PART NUMBER DEVELOPMENT		
Sample Part Number	179-295	-2
Series	179-295 = Versalink Jackpost Kit	
Dash No.	1 = .288 2 = .382 4 = .452; in inches	

