

# "ZERO-CROSSTALK" M83513 Micro-D VersaLink™ Connectors



## GHS4-MS, Pre-Wired, Double or Single Ended Shielded Connector

### MATERIALS AND FINISHES

- Connector shell: aluminum alloy 6061
- Insulator (v): rigid dielectric
- Insulator (m): liquid crystal polymer (LCP) or polyphenylene sulfide (PPS)
- Flange seal: fluorosilicone rubber, blue
- Pin contact: copper alloy, gold over nickel plating
- Socket contact: copper alloy, gold over nickel plating
- Ground spring: stainless steel, gold plating
- Hardware: 300 series stainless steel, passivated
- Encapsulant: epoxy resin Hysol EE4215 and Duralco 120

### PERFORMANCE SPECIFICATIONS

- Current rating: 3 amp (Micro-D pins)
- DWV: 600 VAC sea level
- Insulation resistance: 5000 megohms minimum
- Operating temperature: -55°C to 150°C
- Mating force (contact m): (10 ounces) x (# of contacts)
- Mating force (contact v): (5 ounces) x (# of contacts)
- Electrical performance IAW Glenair specification GT-19-230

### NOTES

1. Refer to GHS4-MS-1000 for insert arrangement details on page 90.
2. Refer to GHS4-MS-1001 for wire layouts on page 95.
3. Plug connector uses pin Micro-D contacts and socket VersaLink contacts. Receptacle uses socket Micro-D contacts and pin VersaLink contacts. GP and GS cable ends rotated 180° relative to each other due to connector symmetry.
4. Omit wire information when contact layout "M" = 0 (e.g. 2-0, 4-0, or 8-0).
5. Hardware always required to ensure connector pair is fully mated when installed.
6. Glenair VersaLink Micro-D connectors are only available as factory terminated.
7. GHS4-MS connectors only mate with GVLMS-BS and other ground isolated VersaLink Micro-D connectors.



PART NUMBER DEVELOPMENT												
Sample Part Number	GHS4-MS	2	L	2-13	P	B	6	J	1	-18	P	N
<b>Series</b>	GHS4-MS = Shielded Micro-D											
<b>Shell Finish</b>	2 = Nickel 5 = Gold											
<b>Insulator Material</b>	L = LCP or PPS											
<b>Contact Layout (V-M)<sup>1</sup></b>	2-0, 2-13, 4-0, 4-25, 8-0											
<b>Connector Type<sup>3</sup></b>	P = Plug (Single End) S = Receptacle (Single End) GP = Double End Cable, Pin Connectors Both Ends GS = Double End Cable, Socket Connector Both Ends CS = Double End Cable, Pin and Socket											
<b>VersaLink Cable Type</b>	B = Glenair cable 963-068-26 (100 Ohm) C = Glenair cable 963-069-26 (100 Ohm)											
<b>Discrete Wire Gage (AWG)<sup>4</sup></b>	4 = #24 6 = #26 8 = #28 0 = #30 (J Wire Type Only)											
<b>Discrete Wire Type<sup>4</sup></b>	K = M22759/11 600 VRMS Teflon (TFE) J = M22759/33 600 VRMS Modified Cross-Linked Tefzel (ETFE) E = NEMA HP3-EB 600 VRMS Type E M16878/4 (TFE)											
<b>Discrete Wire Color<sup>4</sup></b>	1 = White 5 = Color-coded Stripes Per MIL-STD-681 7 = Ten Color Repeating											
<b>Wire Length Inches</b>	Wire Length in inches. "18" specifies 18 inches. 6 inch minimum											
<b>Hardware<sup>5</sup></b>	P = Jackpost M = Hex Head Jackscrew S = Hex Head Jackscrew L = Hex Head Jackscrew (Non-removable) See mounting hardware table											
<b>Shield and Jacket Option</b>	N = No Shield, No Jacket (Customer To Install) A = Braided Shield Installed (Nickel Over Copper) C = Braided Shield Installed (Nickel Over Copper) with E-CTFE Halar "Expando" Jacket S = 100% Braided Amberstrand Shield Installed T = 100% Braided Amberstrand Shield Installed with E-CTFE Halar "Expando" Jacket V = 75% Braided Amberstrand Shield Installed Z = 75% Braided Amberstrand Shield Installed with E-CTFE Halar "Expando" Jacket W = Armorlite Braided Microfilament Stainless Steel Shield Installed X = Armorlite Braided Microfilament Stainless Steel Shield Installed with E-CTFE Halar "Expando" Jacket											

MICRO-D VERSALINK CONNECTORS

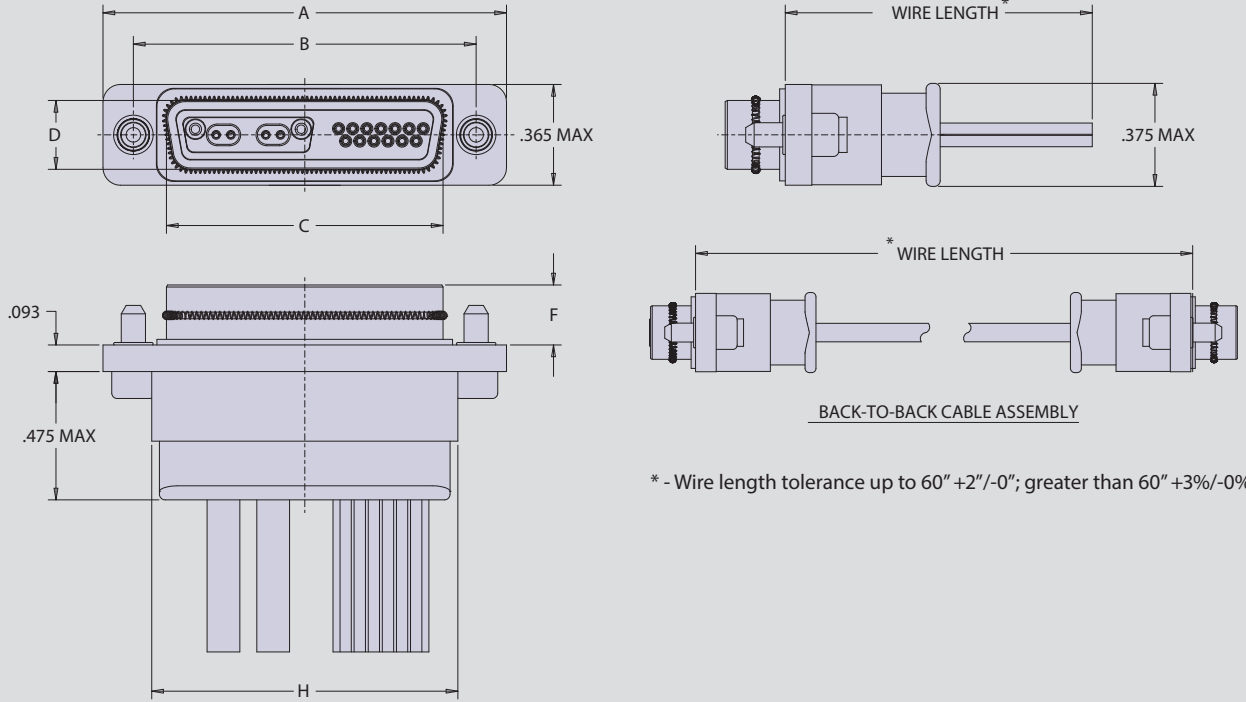
# "ZERO-CROSSTALK" M83513 Micro-D VersaLink™ Connectors



GHS4-MS, Pre-Wired Shielded Connector, Double or Single Ended

MICRO-D VERSALINK CONNECTORS

## INSERT ARRANGEMENTS



\* - Wire length tolerance up to 60" +2"/-0"; greater than 60" +3%/-0%.

## CABLE ASSEMBLY DIMENSIONS

LAYOUT	A MAX	B±.003	C MAX	D MAX	F±.003	H MAX
2-0P	1.038 (26.37)	0.817 (20.75)	0.585 (14.86)	0.250 (6.35)	0.213 (5.41)	0.693 (17.60)
2-0S	1.038 (26.37)	0.817 (20.75)	0.653 (16.59)	0.315 (8.00)	0.225 (5.72)	0.693 (17.60)
2-13P	1.436 (36.47)	1.215 (30.86)	0.983 (24.97)	0.250 (6.35)	0.213 (5.41)	1.091 (27.71)
2-13S	1.436 (36.47)	1.215 (30.86)	1.051 (26.70)	0.315 (8.00)	0.225 (5.72)	1.091 (27.71)
4-0P	1.436 (36.47)	1.215 (30.86)	0.983 (24.97)	0.250 (6.35)	0.213 (5.41)	1.091 (27.71)
4-0S	1.436 (36.47)	1.215 (30.86)	1.051 (26.70)	0.315 (8.00)	0.225 (5.72)	1.091 (27.71)
4-25P	2.300 (58.42)	2.094 (53.19)	1.797 (45.64)	0.250 (6.35)	0.213 (5.41)	1.955 (49.66)
4-25S	2.300 (58.42)	2.094 (53.19)	1.865 (47.37)	0.315 (8.00)	0.225 (5.72)	1.955 (49.66)
8-0P	2.300 (58.42)	2.094 (53.19)	1.797 (45.64)	0.250 (6.35)	0.213 (5.41)	1.955 (49.66)
8-0S	2.300 (58.42)	2.094 (53.19)	1.865 (47.37)	0.315 (8.00)	0.225 (5.72)	1.955 (49.66)

## INSERT ARRANGEMENTS

Insert Arrangements	No. of Contacts	
	VersaLink (V)	TwistPin (M)
2-0	2	0
2-13	2	13
4-0	4	0
4-25	4	25
8-0	8	0

## MOUNTING HARDWARE

