

"ZERO-CROSSTALK" M83513 Micro-D VersaLink™ Connectors



GVLM-1007 Code Red Panel Mount Feedthru

MICRO-D VERSALINK CONNECTORS



MATERIALS AND FINISHES

- Connector shell: aluminum alloy 6061, nickel plating
- Insulator (v): rigid dielectric
- Insulator (m): liquid crystal polymer (LCP) or polyphenylene sulfide (PPS)
- Flange seal: fluorosilicone rubber, blue
- Pin contact: copper alloy, gold over nickel plating
- Socket contact: copper alloy, gold over nickel plating
- Ground spring: stainless steel, gold plating
- Hardware: 300 series stainless steel, passivated
- Encapsulant: Code Red epoxy

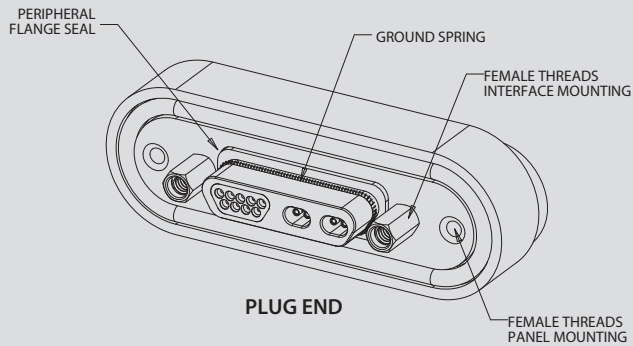
PERFORMANCE SPECIFICATIONS

- Current rating: 3 amp for contact M
- DWV: 600 VAC sea level
- Insulation resistance: 5000 megohms minimum
- Operating temperature: -55°C to 150°C
- Mating force (contact V): (5 ounces) x (# of contacts)
- Mating force (contact M): (10 ounces) x (# of contacts)
- Electrical performance IAW Glenair specification GT-19-230
- Interface dimensions IAW MIL-DTL-83513

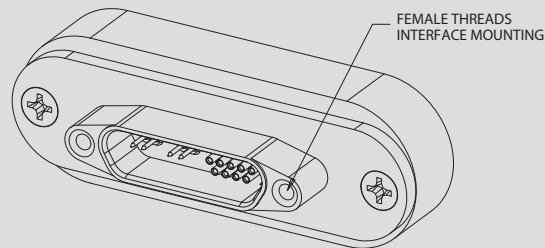
NOTES

1. Refer to GHS4-M-1000 for insert arrangement details on page 90.

PART NUMBER DEVELOPMENT						
Sample Part Number	GVLM-1007	-2	L	-1-9	P	N
Series	GVLM-1007 = VersaLink Micro-D Panel Mount Feedthru					
Shell Finish	2 = Nickel 5 = gold					
Insulator Material	L = LCP or PPS					
Contact Layout	1-0, 1-9, 2-0, 2-9, 2-15, 2-21, 3-9, 4-0, 4-15, 4-31, 8-9, 10-0					
O-ring Location	P = Plug Side S = Receptacle side					
O-ring	C = Conductive N = Non-conductive (nitrile)		F = Non-conductive (fluorosilicone) V = Non-conductive (viton)			



PLUG END



RECEPTACLE END

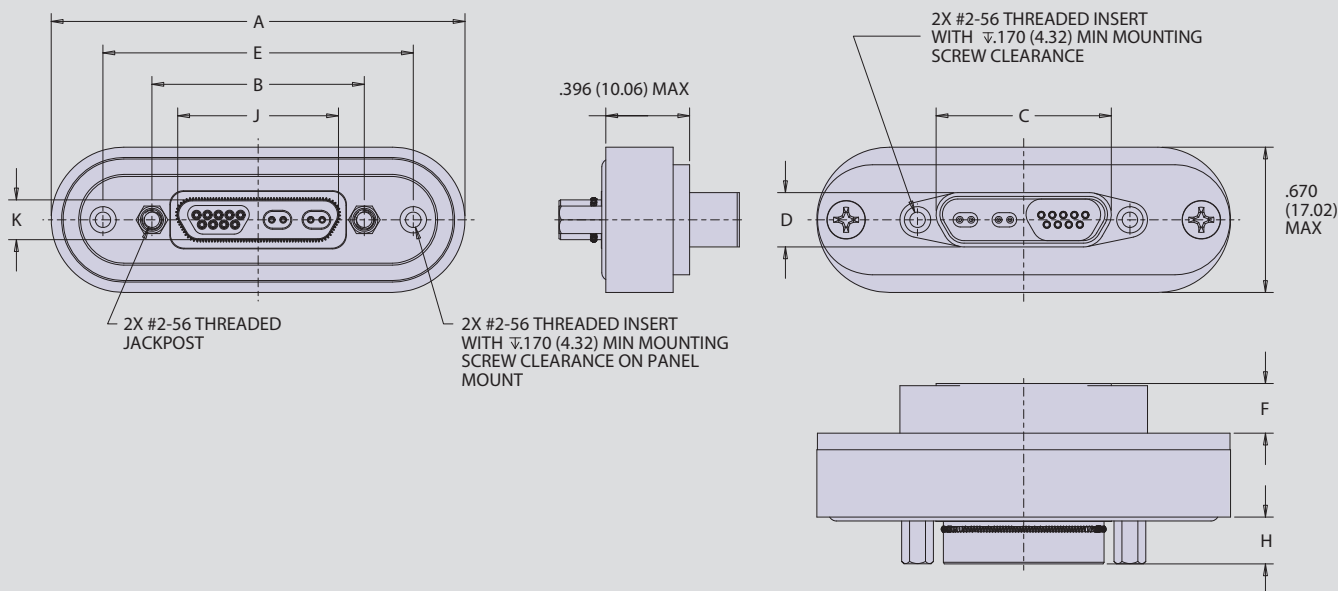
INSERT ARRANGEMENTS

Insert Arrangements	No. of Contacts		Insert Arrangements	No. of Contacts	
	VersaLink (V)	TwistPin (M)		VersaLink (V)	TwistPin (M)
1-0	1	0	2-21	2	21
2-0	2	0	3-9	3	9
1-9	1	9	4-15	4	15
2-9	2	9	4-31	4	31
4-0	4	0	8-9	8	9
2-15	2	15	10-0	10	0

"ZERO-CROSSTALK" M83513 Micro-D VersaLink™ Connectors



GVLM-1007 Panel Mount Feedthru

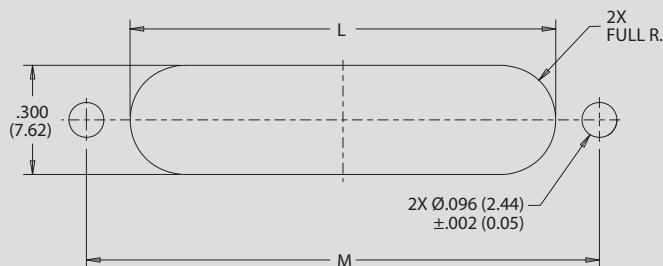


MICRO-D VERSALINK CONNECTORS

DIMENSIONS

LAYOUT	A MAX	B	C MAX	D MAX	E	F \pm 0.003	H \pm 0.003	J MAX	K MAX
1-0	1.480 (37.59)	0.565 (14.35)	0.400 (10.16)	0.250 (6.35)	1.010 (25.65)	0.225 (5.72)	0.213 (5.41)	0.333 (8.46)	0.184 (4.67)
2-0	1.630 (41.40)	0.715 (18.16)	0.551 (14.00)	0.250 (6.35)	1.160 (29.46)	0.225 (5.72)	0.213 (5.41)	0.483 (12.27)	0.184 (4.67)
1-9	1.780 (45.21)	0.865 (21.97)	0.701 (17.81)	0.250 (6.35)	1.310 (33.27)	0.225 (5.72)	0.213 (5.41)	0.633 (16.08)	0.184 (4.67)
2-9	1.880 (47.75)	0.965 (24.51)	0.801 (20.35)	0.250 (6.35)	1.410 (35.81)	0.225 (5.72)	0.213 (5.41)	0.733 (18.62)	0.184 (4.67)
4-0	1.880 (47.75)	0.965 (24.51)	0.801 (20.35)	0.250 (6.35)	1.410 (35.81)	0.225 (5.72)	0.213 (5.41)	0.733 (18.62)	0.184 (4.67)
2-15	2.030 (51.56)	1.115 (28.32)	0.951 (24.16)	0.250 (6.35)	1.560 (39.62)	0.225 (5.72)	0.213 (5.41)	0.883 (22.43)	0.184 (4.67)
2-21	2.180 (55.37)	1.265 (32.13)	1.101 (27.97)	0.250 (6.35)	1.710 (43.43)	0.225 (5.72)	0.213 (5.41)	1.033 (26.24)	0.184 (4.67)
3-9	2.180 (55.37)	1.265 (32.13)	1.101 (27.97)	0.250 (6.35)	1.710 (43.43)	0.225 (5.72)	0.213 (5.41)	1.033 (26.24)	0.184 (4.67)
4-15	2.530 (64.26)	1.615 (41.02)	1.450 (36.83)	0.250 (6.35)	2.060 (52.32)	0.225 (5.72)	0.213 (5.41)	1.384 (35.15)	0.184 (4.67)
4-31	2.930 (74.42)	2.015 (51.18)	1.850 (46.99)	0.250 (6.35)	2.460 (62.48)	0.225 (5.72)	0.213 (5.41)	1.784 (45.31)	0.184 (4.67)
8-9	2.930 (74.42)	2.015 (51.18)	1.850 (46.99)	0.250 (6.35)	2.460 (62.48)	0.225 (5.72)	0.213 (5.41)	1.784 (45.31)	0.184 (4.67)
10-0	2.930 (74.42)	2.015 (51.18)	1.850 (46.99)	0.250 (6.35)	2.460 (62.48)	0.225 (5.72)	0.213 (5.41)	1.784 (45.31)	0.184 (4.67)

RECOMMENDED PANEL CUTOUT



RECOMMENDED PANEL CUTOUT DIMENSIONS

PART NUMBER	L	M
1-0	0.780 (19.81)	1.010 (25.65)
2-0	0.930 (23.62)	1.160 (29.46)
1-9	1.080 (27.43)	1.310 (33.27)
2-9	1.180 (29.97)	1.410 (35.81)
4-0	1.180 (29.97)	1.410 (35.81)
2-15	1.330 (33.78)	1.560 (39.62)
2-21	1.480 (37.59)	1.710 (43.43)
3-9	1.480 (37.59)	1.710 (43.43)
4-15	1.830 (46.48)	2.060 (52.32)
4-31	2.230 (56.64)	2.460 (62.48)
8-9	2.230 (56.64)	2.460 (62.48)
10-0	2.230 (56.64)	2.460 (62.48)