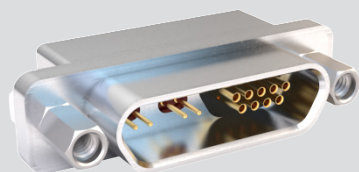


"ZERO-CROSSTALK" M83513 Micro-D VersaLink™ Connectors



GVLM-SP Shorting Plug for Common Ground Design Layouts



MATERIALS AND FINISHES

- Connector shell: aluminum alloy 6061, nickel plating
- Insulator (v): rigid dielectric
- Insulator (m): liquid crystal polymer (lcp) or polyphenylene sulfide (pps)
- Flange seal: fluorosilicone rubber, blue
- Pin contact: copper alloy, gold over nickel plating
- Socket contact: copper alloy, gold over nickel plating
- Ground spring: stainless steel, gold plating
- Hardware: 300 series stainless steel, passivated
- Encapsulant: epoxy resin Hysol EE4215 / Duralco 120

PERFORMANCE SPECIFICATIONS

- Operating temperature: -55°C to 150°C
- Mating force (contact V): (5 ounces) x (# of contacts)
- Mating force (contact M): (10 ounces) x (# of contacts)
- Interface dimensions IAW MIL-DTL-83513

NOTES

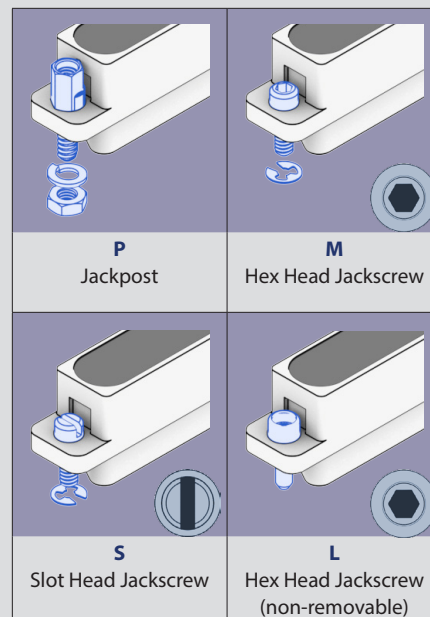
1. Refer to GHS4-M-1000 for insert arrangement details on page 90.
2. Plug connector uses pin Micro-D contacts and socket VersaLink contacts. Receptacle uses socket Micro-D contacts and pin VersaLink contacts.
3. Hardware always required to ensure connector pair is fully mated when installed

PART NUMBER DEVELOPMENT								
Sample Part Number	GVLM	2	L-	2-0	P	SP	M	N
Series	GVLM = VersaLink Micro-D							
Shell Finish	2 = Nickel 5 = Gold							
Insulator Material	L = LCP or PPS							
Contact Layout (V-M)¹	1-0, 1-9, 2-0, 2-9, 2-15, 2-21, 3-9, 4-0, 4-15, 4-31, 8-9, 10-0							
Connector Type²	P = Plug S = Receptacle							
Connector Style	SP = Shorting Plug							
Hardware³	P = Jackpost M = Hex Head Jackscrew S = Slot Head Jackscrew L = Hex Head Jackscrew (non-removable)							
Lanyard Option	N = No Lanyard							

INSERT ARRANGEMENTS

Insert Arrangements	No. of Contacts	
	VersaLink (V)	TwistPin (M)
1-0	1	0
2-0	2	0
1-9	1	9
2-9	2	9
4-0	4	0
2-15	2	15
2-21	2	21
3-9	3	9
4-15	4	15
4-31	4	31
8-9	8	9
10-0	10	0

HARDWARE



MICRO-D VERSALINK CONNECTORS

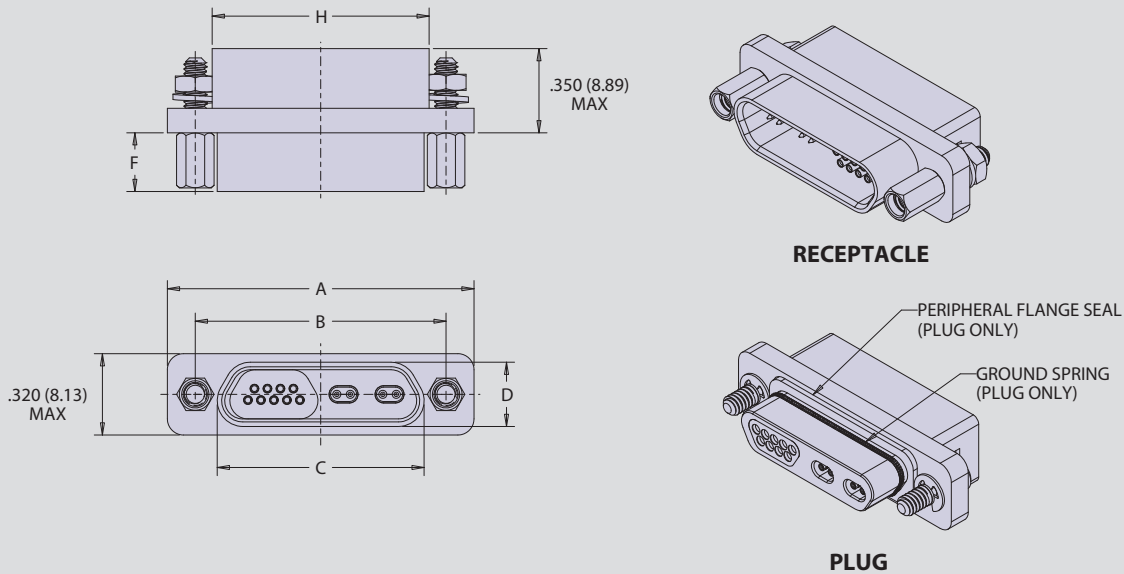
"ZERO-CROSSTALK" M83513 Micro-D VersaLink™ Connectors



GVLM-SP Shorting Plug for Common Ground Design Layouts

MICRO-D VERSALINK CONNECTORS

GVLM-SP SHORTING CONNECTOR



SHORTING PLUG DIMENSIONS						
LAYOUT	A MAX	B±.003	C MAX	D MAX	F±.003	H MAX
1-0P	0.785 (19.94)	0.565 (14.35)	0.333 (8.46)	0.184 (4.67)	0.213 (5.41)	0.445 (11.30)
1-0S	0.785 (19.94)	0.565 (14.35)	0.400 (10.16)	0.250 (6.35)	0.225 (5.72)	0.445 (11.30)
2-0P	0.935 (23.75)	0.715 (18.16)	0.483 (12.27)	0.184 (4.67)	0.213 (5.41)	0.595 (15.11)
2-0S	0.935 (23.75)	0.715 (18.16)	0.551 (14.00)	0.250 (6.35)	0.225 (5.72)	0.595 (15.11)
1-9P	1.085 (27.56)	0.865 (21.97)	0.633 (16.08)	0.184 (4.67)	0.213 (5.41)	0.745 (18.92)
1-9S	1.085 (27.56)	0.865 (21.97)	0.701 (17.81)	0.250 (6.35)	0.225 (5.72)	0.745 (18.92)
2-9P	1.185 (30.10)	0.965 (24.51)	0.733 (18.62)	0.184 (4.67)	0.213 (5.41)	0.845 (21.46)
2-9S	1.185 (30.10)	0.965 (24.51)	0.801 (20.35)	0.250 (6.35)	0.225 (5.72)	0.845 (21.46)
4-0P	1.185 (30.10)	0.965 (24.51)	0.733 (18.62)	0.184 (4.67)	0.213 (5.41)	0.845 (21.46)
4-0S	1.185 (30.10)	0.965 (24.51)	0.801 (20.35)	0.250 (6.35)	0.225 (5.72)	0.845 (21.46)
2-15P	1.335 (33.91)	1.115 (28.32)	0.883 (22.43)	0.184 (4.67)	0.213 (5.41)	0.995 (25.27)
2-15S	1.335 (33.91)	1.115 (28.32)	0.951 (24.16)	0.250 (6.35)	0.225 (5.72)	0.995 (25.27)
2-21P	1.485 (37.72)	1.265 (32.13)	1.033 (26.24)	0.184 (4.67)	0.213 (5.41)	1.145 (29.08)
2-21S	1.485 (37.72)	1.265 (32.13)	1.101 (27.97)	0.250 (6.35)	0.225 (5.72)	1.145 (29.08)
3-9P	1.485 (37.72)	1.265 (32.13)	1.033 (26.24)	0.184 (4.67)	0.213 (5.41)	1.145 (29.08)
3-9S	1.485 (37.72)	1.265 (32.13)	1.101 (27.97)	0.250 (6.35)	0.225 (5.72)	1.145 (29.08)
4-15P	1.835 (46.61)	1.615 (41.02)	1.384 (35.15)	0.184 (4.67)	0.213 (5.41)	1.495 (37.97)
4-15S	1.835 (46.61)	1.615 (41.02)	1.450 (36.83)	0.250 (6.35)	0.225 (5.72)	1.495 (37.97)
4-31P	2.235 (56.77)	2.015 (51.18)	1.784 (45.31)	0.184 (4.67)	0.213 (5.41)	1.895 (48.13)
4-31S	2.235 (56.77)	2.015 (51.18)	1.850 (46.99)	0.250 (6.35)	0.225 (5.72)	1.895 (48.13)
8-9P	2.235 (56.77)	2.015 (51.18)	1.784 (45.31)	0.184 (4.67)	0.213 (5.41)	1.895 (48.13)
8-9S	2.235 (56.77)	2.015 (51.18)	1.850 (46.99)	0.250 (6.35)	0.225 (5.72)	1.895 (48.13)
10-0P	2.235 (56.77)	2.015 (51.18)	1.784 (45.31)	0.184 (4.67)	0.213 (5.41)	1.895 (48.13)
10-0S	2.235 (56.77)	2.015 (51.18)	1.850 (46.99)	0.250 (6.35)	0.225 (5.72)	1.895 (48.13)