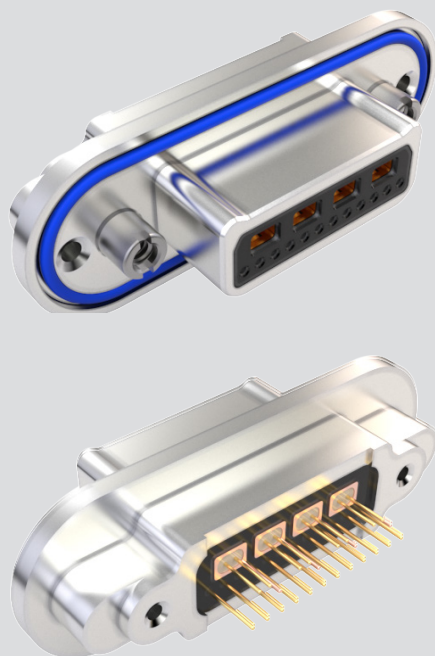


"ZERO-CROSSTALK" Series 794 VersaLink™ Connectors



794-009 VersaLink Straight PCB Rear-Panel Mount, Socket Contact Plug

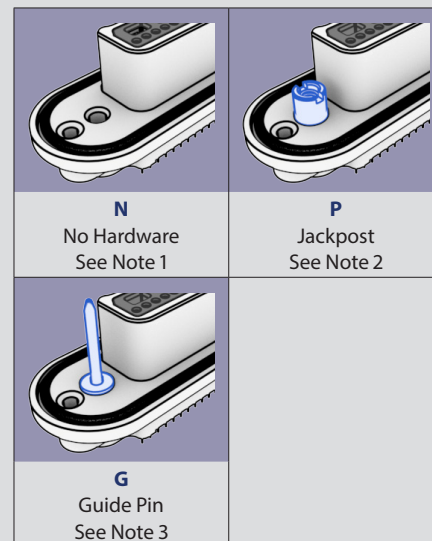


PART NUMBER DEVELOPMENT							
Sample Part Number	794-009	S	G-4V12	M	P	F	-A
Series	794-009 = Straight PCB Rear-Panel Mount Plug						
Contacts	S = Socket Contacts						
Shell Size-Insert Arrangement	See Insert Arrangement Table 799-184						
Shell Finish	M = Electroless Nickel MT = Nickel Teflon						
Hardware Option	P = Jackpost G = Guide Pin N = No Hardware						
O-Ring Option	C = Conductive F = Fluorosilicone S = Metal EMI Spring N = None						
Optional Shell Keying	A, B, C, D, E, F, G, H, J, K, L, M; Omit for none (see mod code 1279)						

INSERT ARRANGEMENTS

Shell Size-Insert Arrangement	No. of Contacts	
	VersaLink	22HD
A-1V	1	0
B-2V	2	0
B-1V4	1	4
C-2V2	2	2
D-2V4	2	4
E-3V4	3	4
E-2V6	2	6
F-4V	4	0
G-4V12	4	12
H-6V16	6	16
J-6V	6	0
K-8V	8	0
L-7V20	7	20
P-4V	4	0
Q-8V8	8	0
R-10V	10	0
R-8V16	8	16
S-14V	14	0
T-18V	16	0
U-36V	36	0

HARDWARE



1. Thread size is #6-32 for shell sizes A,B,C,D,E,F,G,J,K
Thread size is #8-32 for shell sizes H & L
Thread size is #10-32 for shell sizes P,Q,R,S,T,U
2. Thread size is #2-56 for shell sizes A, B, C, D, E, F, G, J, K
Thread size is #4-40 for shell sizes H & L
Thread size is #8-32 for shell sizes P, Q, R, S, T, U
3. Connector supplied with non-removable guide pin

MATERIALS AND FINISHES

- VersaLink Module
- Contact: Copper Alloy/gold
- Insulator: rigid dielectric/N.A.
- Shield: copper alloy/gold
- #22HD Contact
- Contacts: copper alloy 50 microinches gold over nickel
- Socket contact hood: stainless steel passivated
- Shell: aluminum alloy 6061
- Insulators: high-grade rigid dielectric
- Grommet: fluorosilicone blend elastomer
- Hardware: 300 series stainless steel passivated
- Potting compound: epoxy

PERFORMANCE SPECIFICATIONS

- Operating temperature: -65°C to +200°C

NOTES

1. Refer to 799-184 for insert arrangements on page 48
2. Refer to Modification Code 1279 for unshielded wire layouts on page 49
3. Refer to Series 794 material & finish options on page 50.
4. Refer to Series 794 PCB Footprints for unshielded wire layouts on page 78

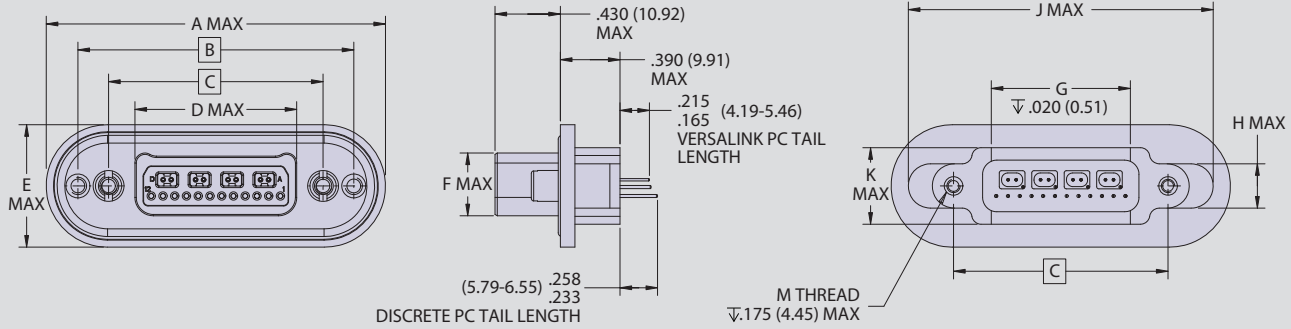
"ZERO-CROSSTALK" Series 794 VersaLink™ Connectors



794-009 VersaLink Straight PCB Rear-Panel Mount, Socket Contact Plug

SERIES 794 VERSALINK CONNECTORS

794-009 VERSALINK STRAIGHT PCB REAR-PANEL MOUNT, SOCKET PLUG CONNECTOR



DIMENSIONS

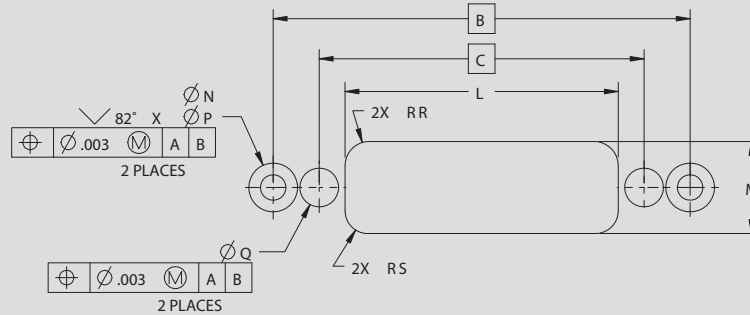
SHELL SIZE	A MAX	B	C	D MAX	E MAX	F MAX	G	H MAX	J MAX	K MAX	M THREAD UNC 2B
A	1.565 (39.75)	1.150 (29.21)	0.750 (19.05)	0.410 (10.41)	0.710 (18.03)	0.320 (8.13)	0.200 (5.08)	0.210 (5.33)	1.345 (34.16)	0.415 (10.54)	#2-56
B	1.715 (43.56)	1.300 (33.02)	0.900 (22.86)	0.560 (14.22)	0.710 (18.03)	0.320 (8.13)	0.400 (10.16)	0.210 (5.33)	1.495 (37.97)	0.415 (10.54)	#2-56
C	1.865 (47.37)	1.450 (36.83)	1.050 (26.67)	0.710 (18.03)	0.710 (18.03)	0.320 (8.13)	0.460 (11.68)	0.210 (5.33)	1.645 (41.78)	0.415 (10.54)	#2-56
D	1.940 (49.28)	1.525 (38.73)	1.125 (28.58)	0.785 (19.94)	0.710 (18.03)	0.320 (8.13)	0.565 (14.35)	0.210 (5.33)	1.745 (44.32)	0.415 (10.54)	#2-56
E	2.090 (53.09)	1.675 (42.55)	1.275 (32.39)	0.935 (23.75)	0.710 (18.03)	0.320 (8.13)	0.775 (19.68)	0.210 (5.33)	1.895 (48.13)	0.415 (10.54)	#2-56
F	2.240 (56.90)	1.825 (46.36)	1.425 (36.20)	1.085 (27.56)	0.710 (18.03)	0.320 (8.13)	0.845 (21.46)	0.210 (5.33)	2.045 (51.94)	0.415 (10.54)	#2-56
G	2.200 (55.88)	1.785 (45.34)	1.388 (35.26)	1.047 (26.59)	0.800 (20.32)	0.420 (10.67)	0.900 (22.86)	0.300 (7.62)	1.983 (50.37)	0.500 (12.70)	#2-56
H	2.835 (72.01)	2.375 (60.33)	1.900 (48.26)	1.437 (36.50)	0.820 (20.83)	0.430 (10.92)	1.200 (30.48)	0.315 (8.00)	2.590 (65.79)	0.520 (13.21)	#4-40
J	2.615 (66.42)	2.200 (55.88)	1.800 (45.72)	1.460 (37.08)	0.710 (18.03)	0.320 (8.13)	1.230 (31.24)	0.210 (5.33)	2.395 (60.83)	0.415 (10.54)	#2-56
K	2.990 (75.95)	2.575 (65.41)	2.175 (55.24)	1.835 (46.61)	0.710 (18.03)	0.320 (8.13)	1.650 (41.91)	0.210 (5.33)	2.795 (70.99)	0.415 (10.54)	#2-56
L	3.075 (78.11)	2.611 (66.32)	2.136 (54.25)	1.673 (42.49)	0.820 (20.83)	0.430 (10.92)	1.550 (39.37)	0.315 (8.00)	2.826 (71.78)	0.520 (13.21)	#4-40
P	1.460 (37.08)	1.699 (43.15)	1.075 (27.30)	0.620 (15.75)	0.925 (23.50)	0.518 (13.16)	0.450 (11.43)	0.320 (8.13)	1.970 (50.04)	0.575 (14.60)	#4-40
Q	1.835 (46.61)	2.074 (52.68)	1.450 (36.83)	0.995 (25.27)	0.925 (23.50)	0.518 (13.16)	0.850 (21.59)	0.320 (8.13)	2.345 (59.56)	0.575 (14.60)	#4-40
R	2.210 (56.13)	2.449 (62.20)	1.825 (46.36)	1.370 (34.80)	0.925 (23.50)	0.518 (13.16)	1.200 (30.48)	0.320 (8.13)	2.720 (69.09)	0.575 (14.60)	#4-40
S	2.585 (65.66)	2.824 (71.73)	2.200 (55.88)	1.745 (44.32)	0.925 (23.50)	0.518 (13.16)	1.480 (37.59)	0.320 (8.13)	3.095 (78.61)	0.575 (14.60)	#4-40
T	2.960 (75.18)	3.199 (81.25)	2.575 (65.41)	2.120 (53.85)	0.925 (23.50)	0.518 (13.16)	1.855 (47.12)	0.320 (8.13)	3.470 (88.14)	0.575 (14.60)	#4-40
U	2.960 (75.18)	3.199 (81.25)	2.575 (65.41)	2.120 (53.85)	1.300 (33.02)	0.893 (22.68)	1.950 (49.53)	0.320 (8.13)	3.470 (88.14)	0.985 (25.02)	#4-40

"ZERO-CROSSTALK" Series 794 VersaLink™ Connectors



794-009 VersaLink Straight PCB Rear-Panel Mount, Socket Contact Plug

794-009 PANEL CUT-OUT DIMENSIONS



PANEL CUT-OUT DIMENSIONS

SHELL SIZE	B	C	L ±0.002	M ±0.002	N ±0.003	ØP	ØQ 0.003	RR ±0.002	RS ±0.002
A	1.150 (29.21)	0.750 (19.05)	0.505 (12.83)	0.418 (10.62)	0.120 (3.05)	0.190 (4.83)	0.210 (5.33)	0.110 (2.79)	0.164 (4.17)
B	1.300 (33.02)	0.900 (22.86)	0.655 (16.64)	0.418 (10.62)	0.120 (3.05)	0.190 (4.83)	0.210 (5.33)	0.110 (2.79)	0.164 (4.17)
C	1.450 (36.83)	1.050 (26.67)	0.805 (20.45)	0.418 (10.62)	0.120 (3.05)	0.190 (4.83)	0.210 (5.33)	0.110 (2.79)	0.164 (4.17)
D	1.525 (38.73)	1.125 (28.58)	0.880 (22.35)	0.418 (10.62)	0.120 (3.05)	0.190 (4.83)	0.210 (5.33)	0.110 (2.79)	0.164 (4.17)
E	1.675 (42.55)	1.275 (32.39)	1.030 (26.16)	0.418 (10.62)	0.120 (3.05)	0.190 (4.83)	0.210 (5.33)	0.110 (2.79)	0.164 (4.17)
F	1.825 (46.36)	1.425 (36.20)	1.180 (29.97)	0.418 (10.62)	0.120 (3.05)	0.190 (4.83)	0.210 (5.33)	0.110 (2.79)	0.164 (4.17)
G	1.786 (45.36)	1.388 (35.26)	1.142 (29.01)	0.506 (12.85)	0.120 (3.05)	0.190 (4.83)	0.210 (5.33)	0.110 (2.79)	0.164 (4.17)
H	2.375 (60.33)	1.900 (48.26)	1.531 (38.89)	0.521 (13.23)	0.144 (3.66)	0.239 (6.07)	0.236 (5.99)	0.150 (3.81)	0.139 (3.53)
J	2.200 (55.88)	1.800 (45.72)	1.555 (39.50)	0.418 (10.62)	0.120 (3.05)	0.190 (4.83)	0.210 (5.33)	0.110 (2.79)	0.164 (4.17)
K	2.575 (65.41)	2.175 (55.24)	1.930 (49.02)	0.418 (10.62)	0.120 (3.05)	0.190 (4.83)	0.210 (5.33)	0.110 (2.79)	0.164 (4.17)
L	2.611 (66.32)	2.136 (54.25)	1.767 (44.88)	0.521 (13.23)	0.144 (3.66)	0.239 (6.07)	0.236 (5.99)	0.150 (3.81)	0.139 (3.53)
P	1.699 (43.15)	1.075 (27.30)	0.725 (18.42)	0.623 (15.82)	0.172 (4.37)	0.330 (8.38)	0.262 (6.65)	0.163 (4.14)	0.153 (3.89)
Q	2.074 (52.68)	1.450 (36.83)	1.100 (27.94)	0.623 (15.82)	0.172 (4.37)	0.330 (8.38)	0.262 (6.65)	0.163 (4.14)	0.153 (3.89)
R	2.449 (62.20)	1.825 (46.36)	1.475 (37.47)	0.623 (15.82)	0.172 (4.37)	0.330 (8.38)	0.262 (6.65)	0.163 (4.14)	0.153 (3.89)
S	2.840 (72.14)	2.200 (55.88)	1.850 (46.99)	0.623 (15.82)	0.172 (4.37)	0.330 (8.38)	0.262 (6.65)	0.163 (4.14)	0.153 (3.89)
T	3.199 (81.25)	2.575 (65.41)	2.225 (56.52)	0.623 (15.82)	0.172 (4.37)	0.330 (8.38)	0.262 (6.65)	0.163 (4.14)	0.153 (3.89)
U	3.199 (81.25)	2.575 (65.41)	2.225 (56.52)	0.998 (25.35)	0.172 (4.37)	0.330 (8.38)	0.262 (6.65)	0.163 (4.14)	0.153 (3.89)

SERIES 794 VERSALINK CONNECTORS