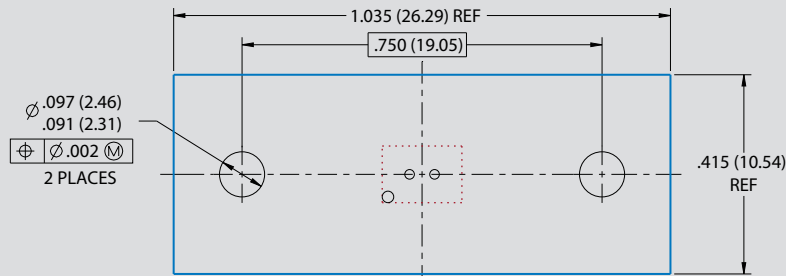


"ZERO-CROSSTALK" Series 794 VersaLink™ Connectors

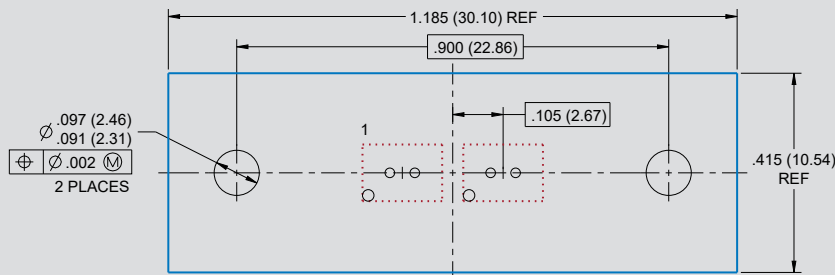


799-196: Series 794 PCB Layouts

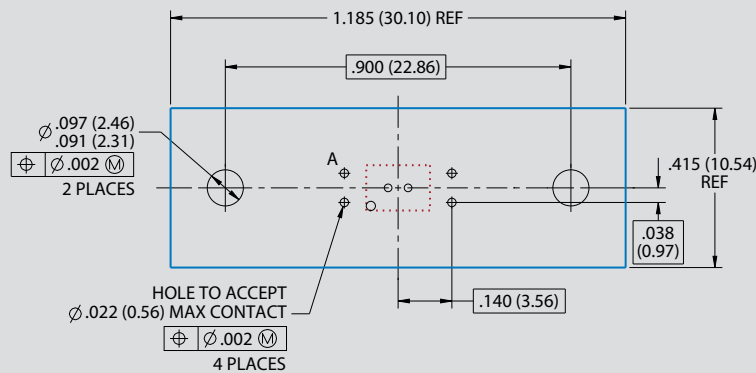
SERIES 794 VERSALINK CONNECTORS



Arrangement No. A-1V
1X VersaLink
See Note 1 and 2



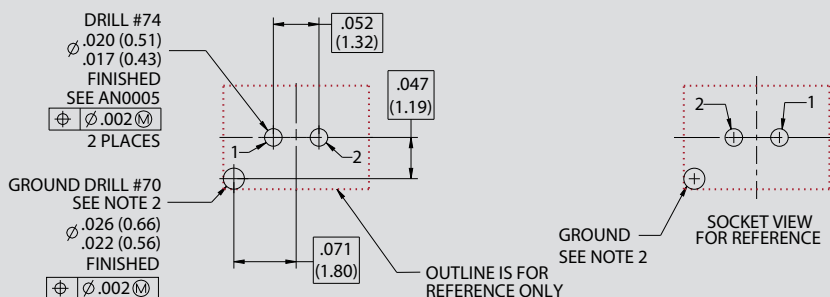
Arrangement No. B-2V
2X VersaLink
See Note 1 and 2



Arrangement No. B-1V4
2X VersaLink
4X 22HD

- Approximate connector outline
- ⋯ Refer to VersaLink pair layout detail

VERSALINK PAIR LAYOUT



NOTES

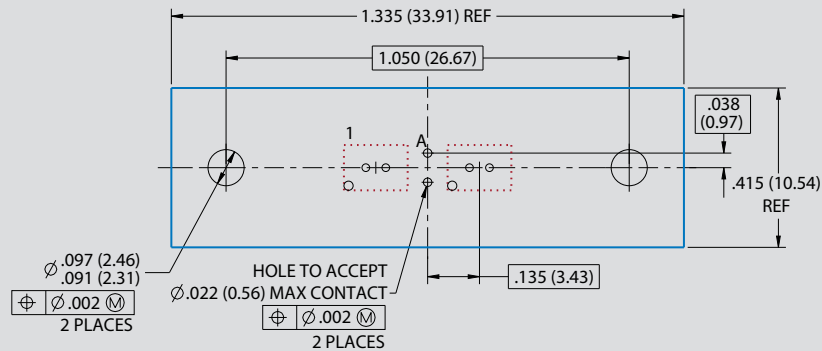
1. See 799-184 for cavity identifications.
2. Pin cavity locations shown. Socket arrangements are mirrored. Ground pin location constant.
3. Note the location of the ground leg within each arrangement.
4. The location given for each pair is the center of each pair layout.
5. See AN0005 for proper PCB design rules.

"ZERO-CROSSTALK" Series 794 VersaLink™ Connectors



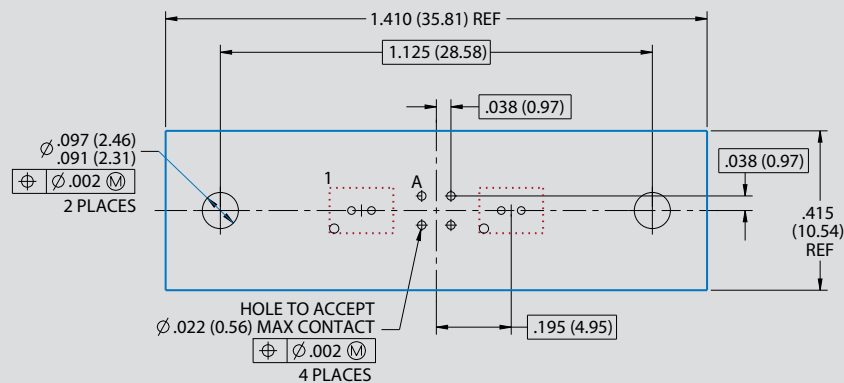
799-196: Series 794 PCB Layouts

SERIES 794 VERSALINK CONNECTORS



Arrangement No. C-2V2

2X VersaLink
2X 22HD



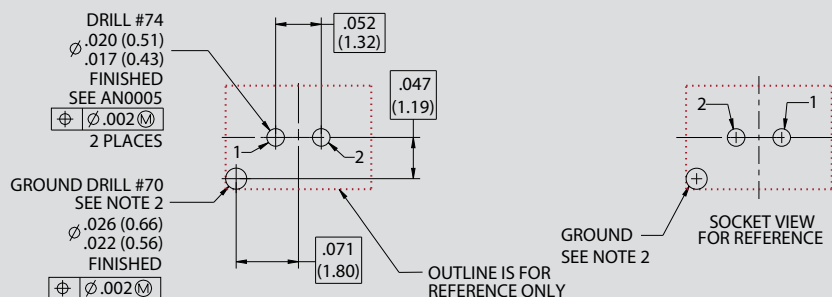
Arrangement No. D-2V4

2X VersaLink
4X 22HD
See Note 1 and 2

— Approximate connector outline

⋯ Refer to VersaLink pair layout detail

VERSALINK PAIR LAYOUT



NOTES

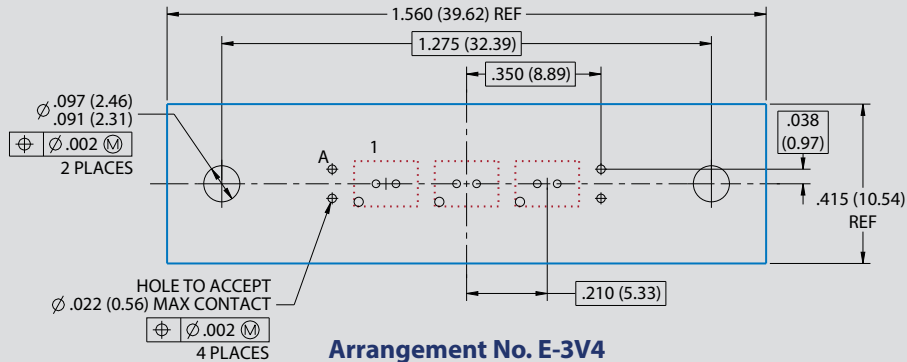
1. See 799-184 for cavity identifications.
2. Pin cavity locations shown. Socket arrangements are mirrored. Ground pin location constant.
3. Note the location of the ground leg within each arrangement.
4. The location given for each pair is the center of each pair layout.
5. See AN0005 for proper PCB design rules.

"ZERO-CROSSTALK" Series 794 VersaLink™ Connectors

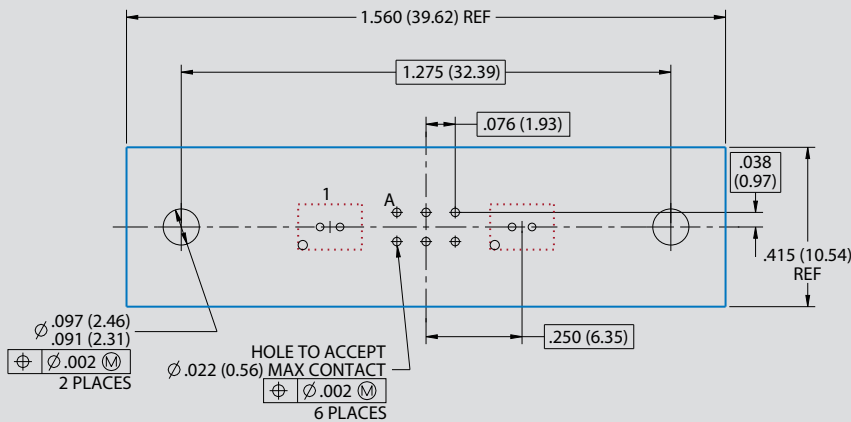


799-196: Series 794 PCB Layouts

SERIES 794 VERSALINK CONNECTORS



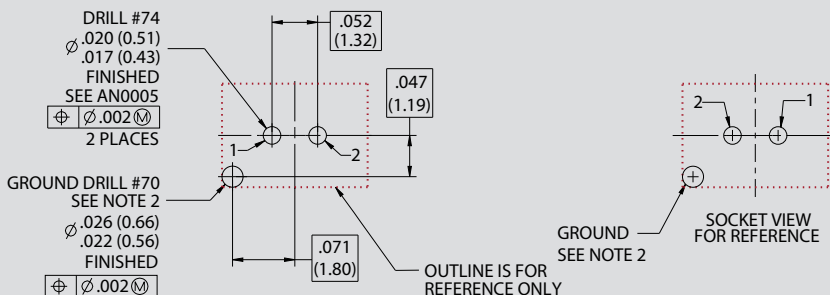
Arrangement No. E-3V4
3X VersaLink
4X 22HD
See Note 1 and 2



Arrangement No. E-2V6
2X VersaLink
6X 22HD
See Note 1 and 2

- Approximate connector outline
- ⋯ Refer to VersaLink pair layout detail

VERSALINK PAIR LAYOUT



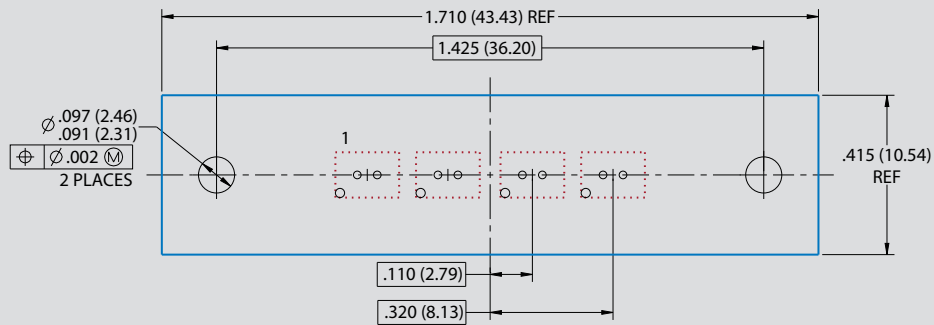
NOTES

1. See 799-184 for cavity identifications.
2. Pin cavity locations shown. Socket arrangements are mirrored. Ground pin location constant.
3. Note the location of the ground leg within each arrangement.
4. The location given for each pair is the center of each pair layout.
5. See AN0005 for proper PCB design rules.

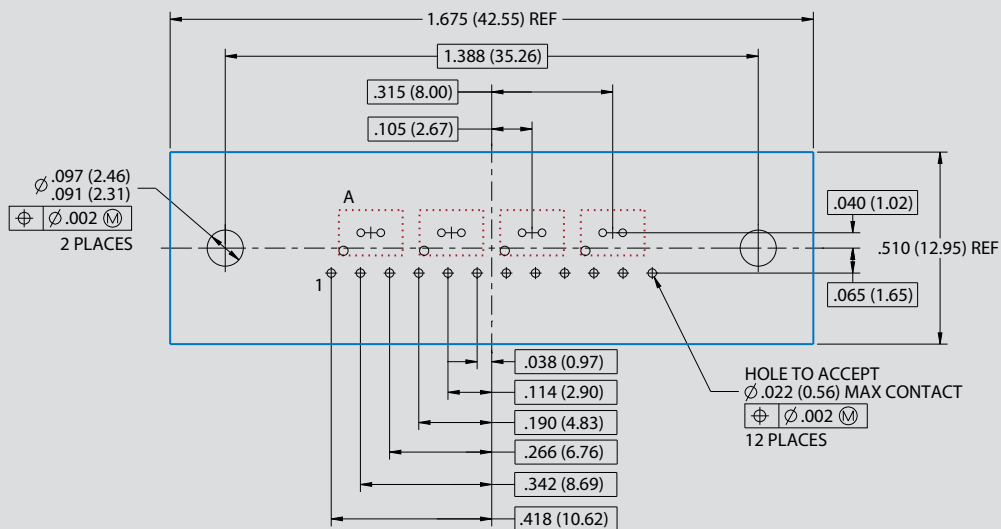
"ZERO-CROSSTALK" Series 794 VersaLink™ Connectors



799-196: Series 794 PCB Layouts



Arrangement No. F-4V
4X VersaLink
See Note 1 and 2

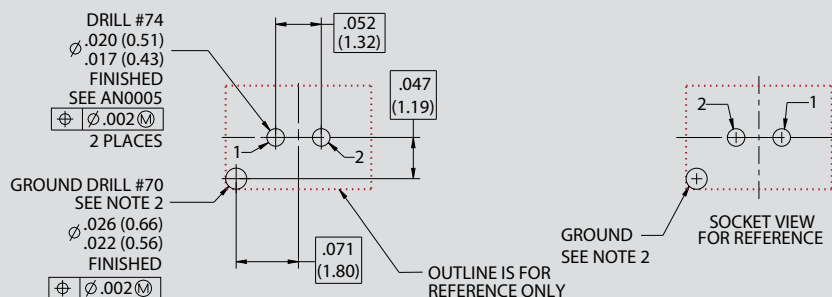


Arrangement No. G-4V12
4X VersaLink
12X 22HD
See Note 1 and 2

— Approximate connector outline

..... Refer to VersaLink pair layout detail

VERSALINK PAIR LAYOUT



NOTES

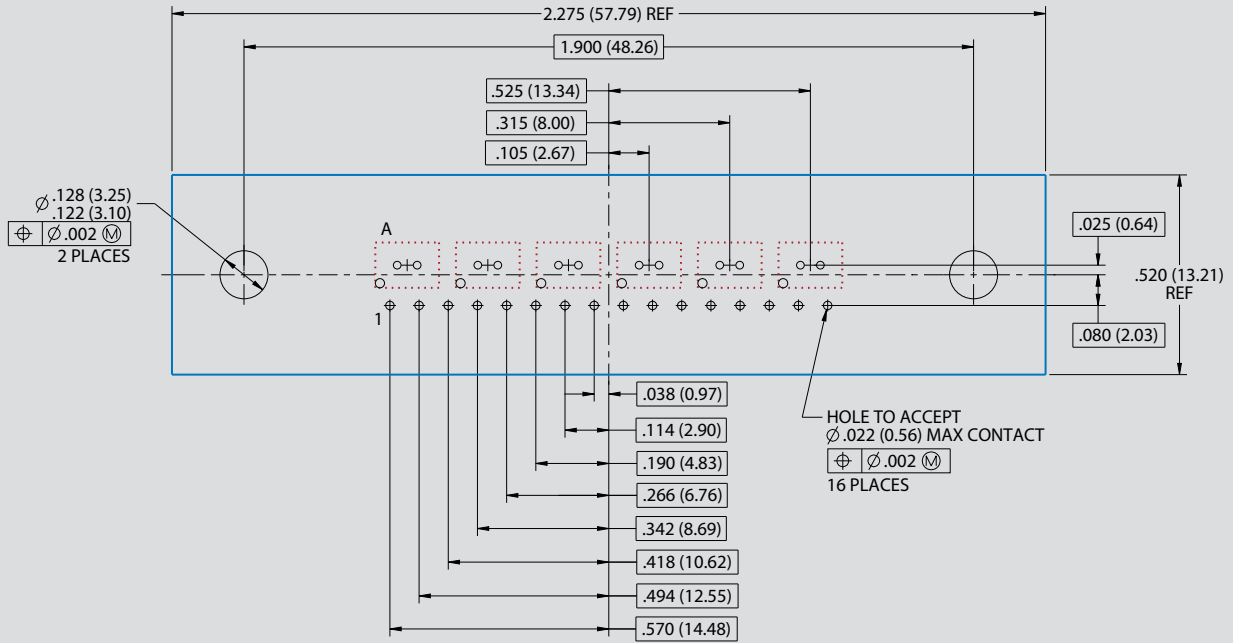
1. See 799-184 for cavity identifications.
2. Pin cavity locations shown. Socket arrangements are mirrored. Ground pin location constant.
3. Note the location of the ground leg within each arrangement.
4. The location given for each pair is the center of each pair layout.
5. See AN0005 for proper PCB design rules.

"ZERO-CROSSTALK" Series 794 VersaLink™ Connectors



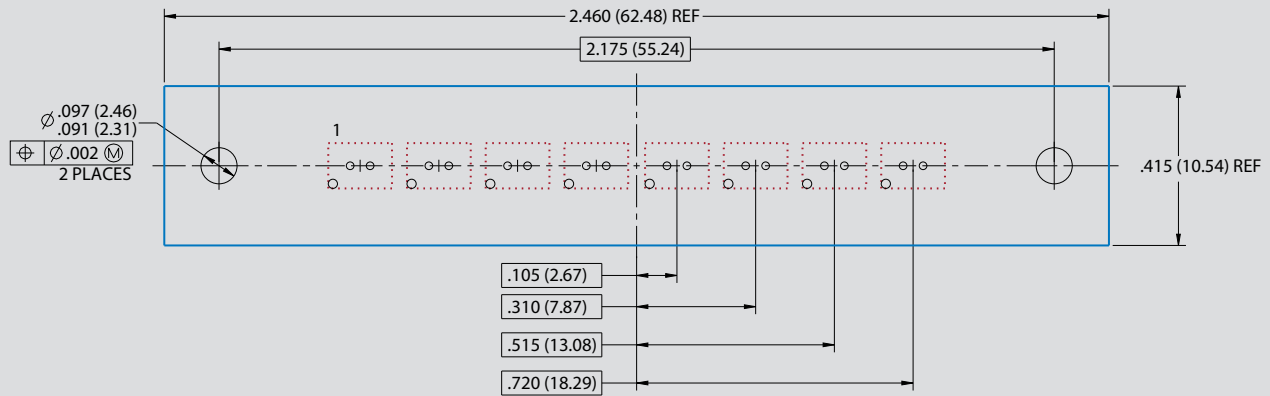
799-196: Series 794 PCB Layouts

SERIES 794 VERSALINK CONNECTORS



Arrangement No. H-6V16

6X VersaLink
16X 22HD
See Note 1 and 2



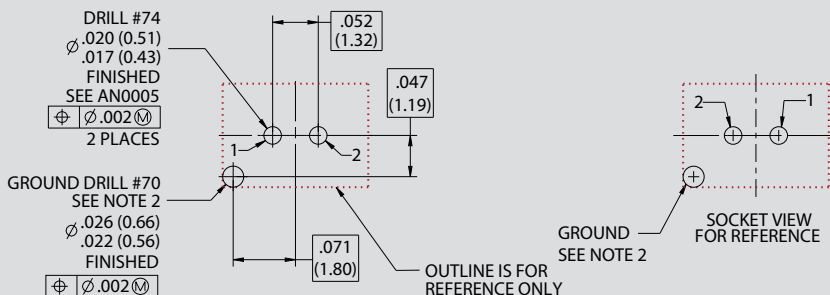
Arrangement No. K-8V

8X VersaLink
See Note 1 and 2

— Approximate connector outline

⋯ Refer to VersaLink pair layout detail

VERSALINK PAIR LAYOUT



NOTES

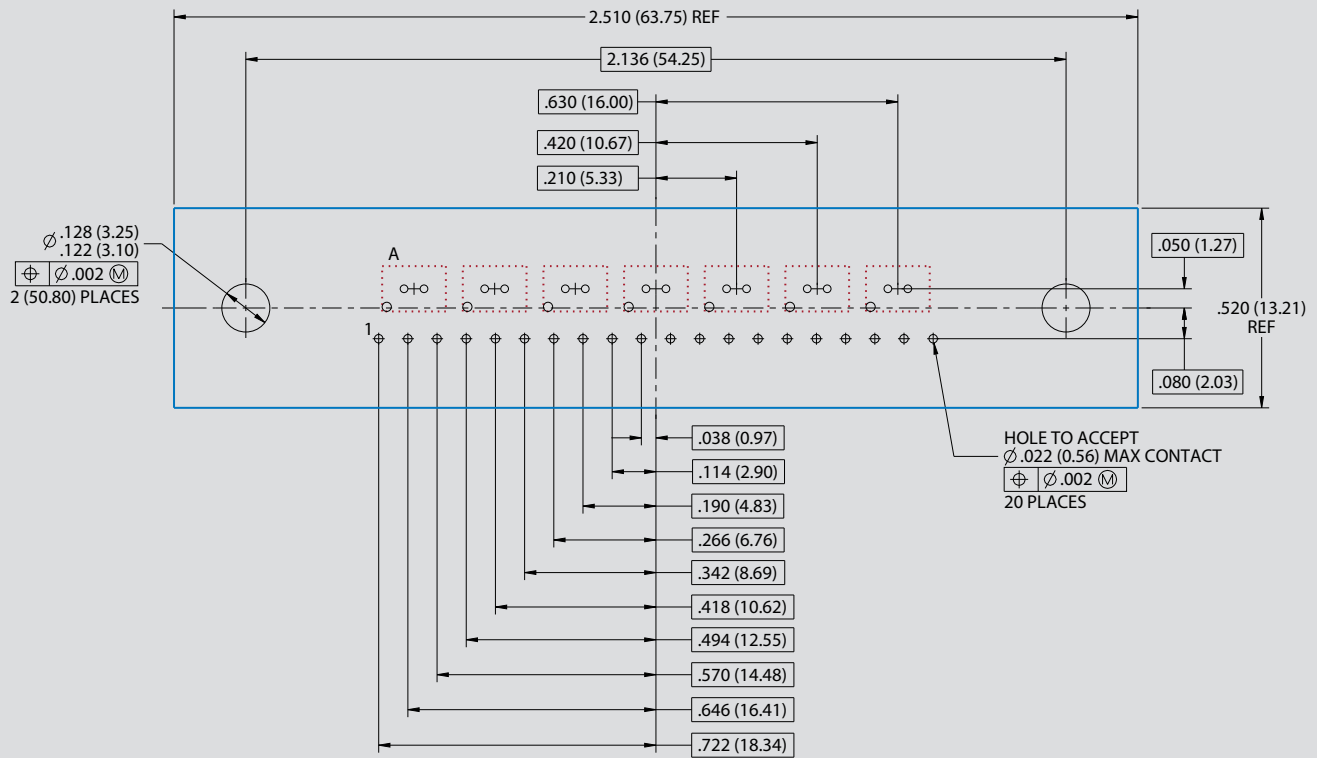
1. See 799-184 for cavity identifications.
2. Pin cavity locations shown. Socket arrangements are mirrored. Ground pin location constant.
3. Note the location of the ground leg within each arrangement.
4. The location given for each pair is the center of each pair layout.
5. See AN0005 for proper PCB design rules.

"ZERO-CROSSTALK" Series 794 VersaLink™ Connectors



799-196: Series 794 PCB Layouts

SERIES 794 VERSALINK CONNECTORS



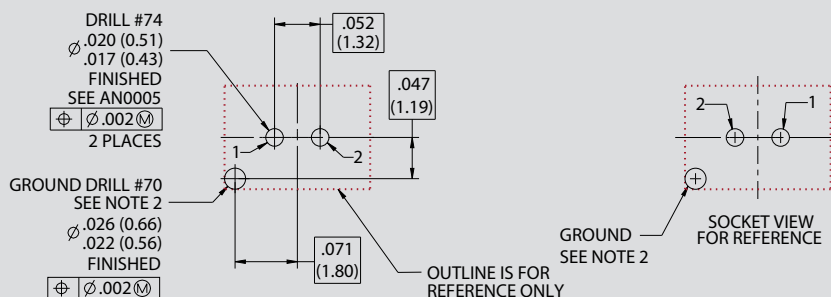
Arrangement No. L-7V20

7X VersaLink

20X 22HD

See Note 1 and 2

VERSALINK PAIR LAYOUT



— Approximate connector outline

..... Refer to VersaLink pair layout detail

NOTES

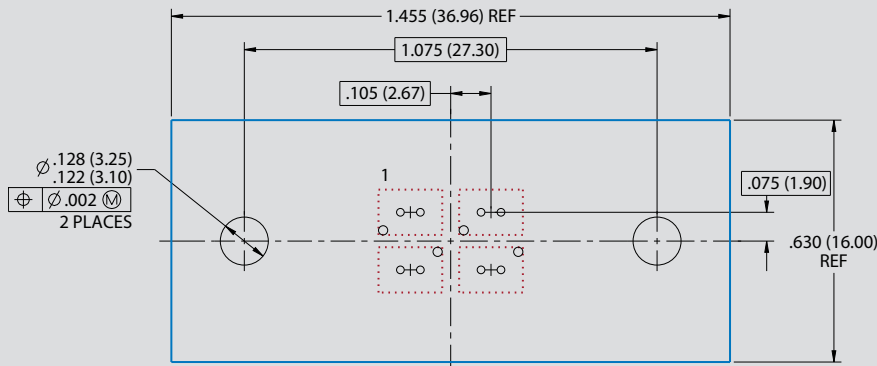
1. See 799-184 for cavity identifications.
2. Pin cavity locations shown. Socket arrangements are mirrored. Ground pin location constant.
3. Note the location of the ground leg within each arrangement.
4. The location given for each pair is the center of each pair layout.
5. See AN0005 for proper PCB design rules.

"ZERO-CROSSTALK" Series 794 VersaLink™ Connectors

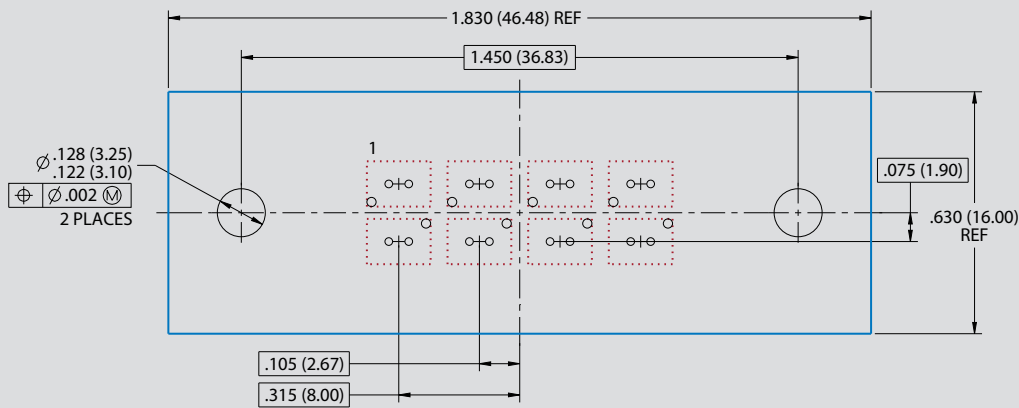


799-196: Series 794 PCB Layouts

SERIES 794 VERSALINK CONNECTORS



Arrangement No. P-4V
4X VersaLink
See Notes 1, 2, and 3

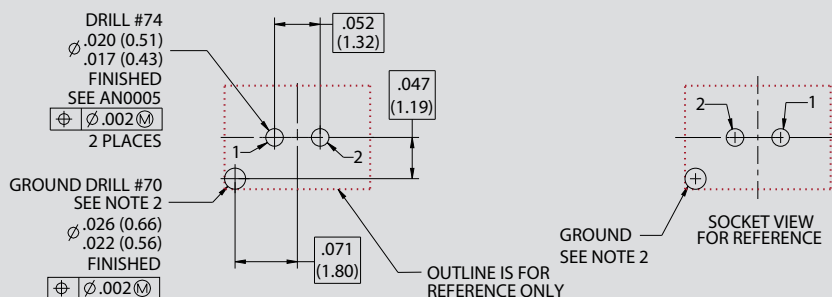


Arrangement No. Q-8V
8X VersaLink
See Notes 1, 2, and 3

— Approximate connector outline

⋯ Refer to VersaLink pair layout detail

VERSALINK PAIR LAYOUT



NOTES

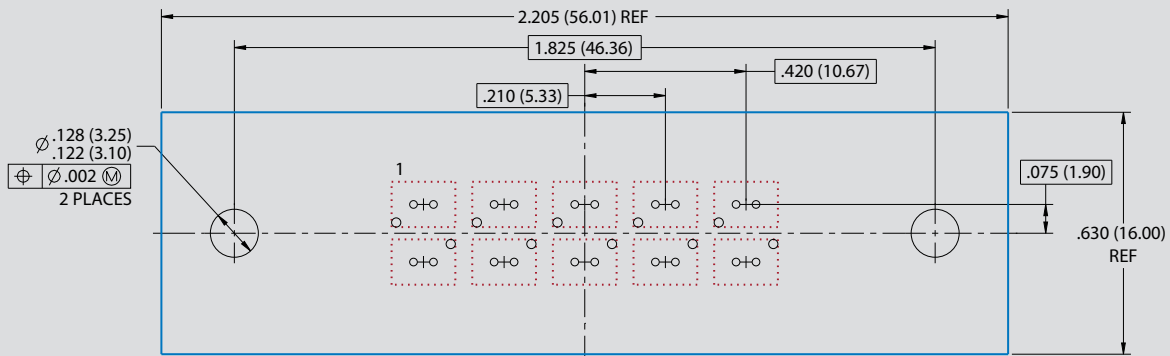
1. See 799-184 for cavity identifications.
2. Pin cavity locations shown. Socket arrangements are mirrored. Ground pin location constant.
3. Note the location of the ground leg within each arrangement.
4. The location given for each pair is the center of each pair layout.
5. See AN0005 for proper PCB design rules.

"ZERO-CROSSTALK" Series 794 VersaLink™ Connectors

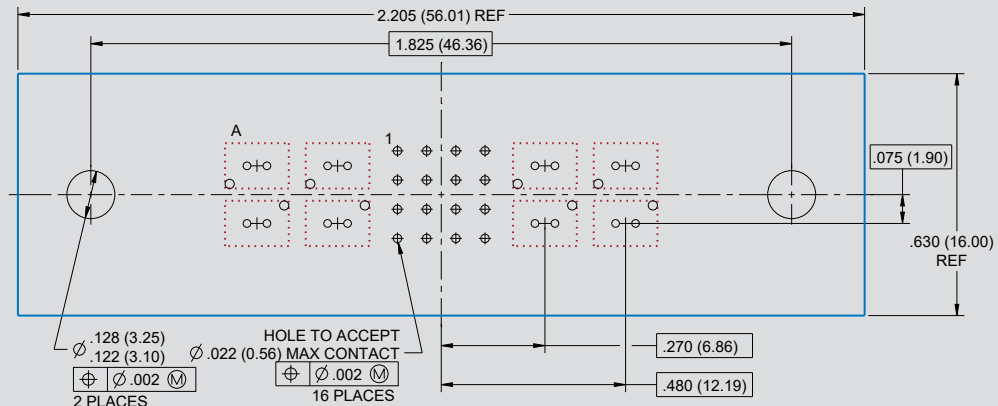


799-196: Series 794 PCB Layouts

SERIES 794 VERSALINK CONNECTORS



Arrangement No. R-10V
10X VersaLink
See Notes 1, 2, and 3



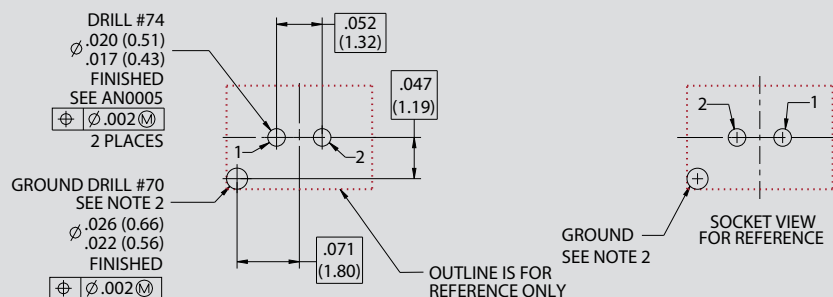
Arrangement No. R-8V16
8X VersaLink
16X 22HD
See Notes 1, 2, and 3

22HD LOCATIONS

POS	X	Y	POS	X	Y	POS	X	Y
1	-0.114 (-2.90)	0.114 (2.90)	7	0.038 (0.97)	0.038 (0.97)	12	0.114 (2.90)	-0.038 (-0.97)
2	-0.038 (-0.97)	0.114 (2.90)	8	0.114 (2.90)	0.038 (0.97)	13	-0.114 (-2.90)	-0.114 (-2.90)
3	0.038 (0.97)	0.114 (2.90)	9	-0.114 (-2.90)	-0.038 (-0.97)	14	-0.038 (-0.97)	-0.114 (-2.90)
4	0.114 (2.90)	0.114 (2.90)	10	-0.038 (-0.97)	-0.038 (-0.97)	15	0.038 (0.97)	-0.114 (-2.90)
5	-0.114 (-2.90)	0.038 (0.97)	11	0.038 (0.97)	-0.038 (-0.97)	16	0.114 (2.90)	-0.114 (-2.90)
6	-0.038 (-0.97)	0.038 (0.97)						

— Approximate connector outline ····· Refer to VersaLink pair layout detail

VERSALINK PAIR LAYOUT



NOTES

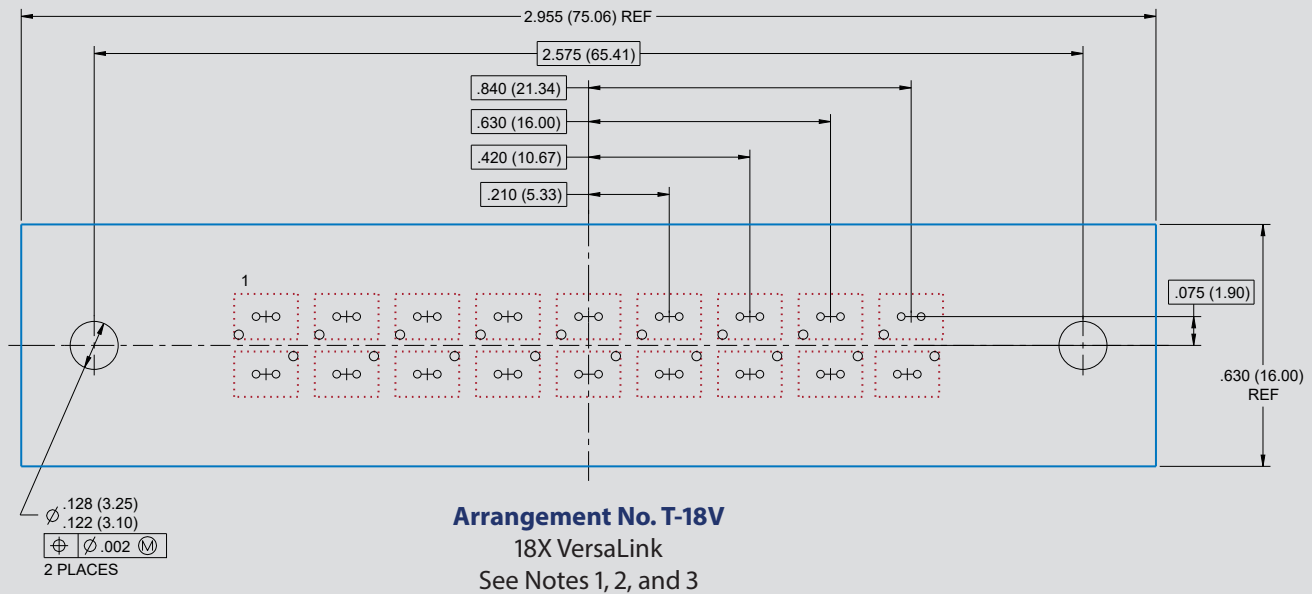
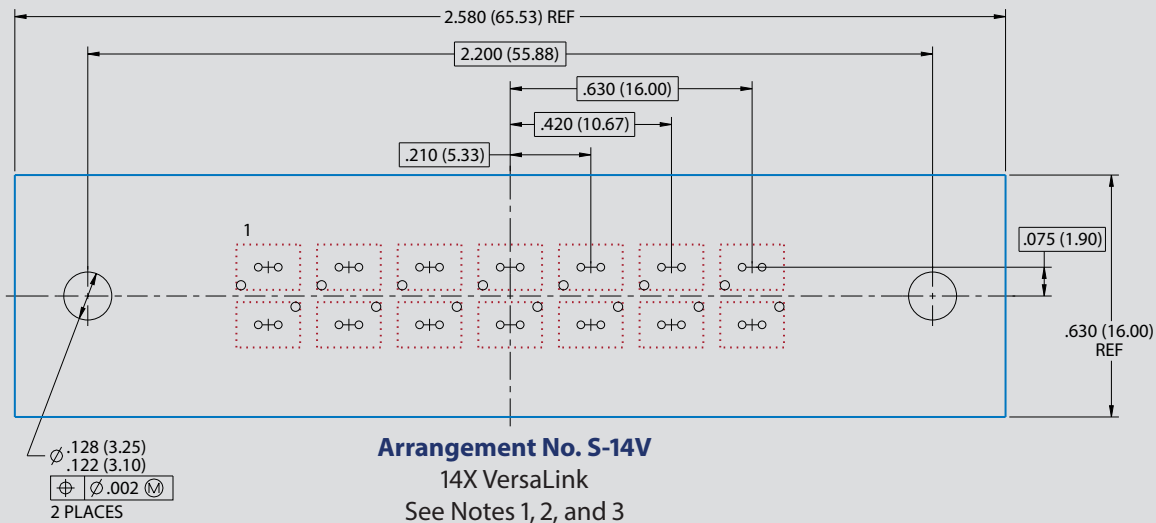
1. See 799-184 for cavity identifications.
2. Pin cavity locations shown. Socket arrangements are mirrored. Ground pin location constant.
3. Note the location of the ground leg within each arrangement.
4. The location given for each pair is the center of each pair layout.
5. See AN0005 for proper PCB design rules.

"ZERO-CROSSTALK" Series 794 VersaLink™ Connectors



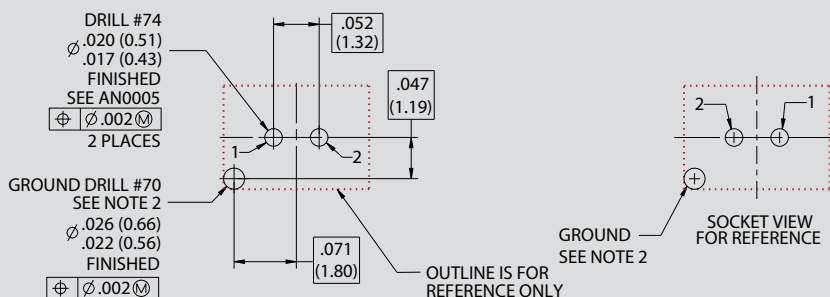
799-196: Series 794 PCB Layouts

SERIES 794 VERSALINK CONNECTORS



- Approximate connector outline
- ⋯ Refer to VersaLink pair layout detail

VERSALINK PAIR LAYOUT



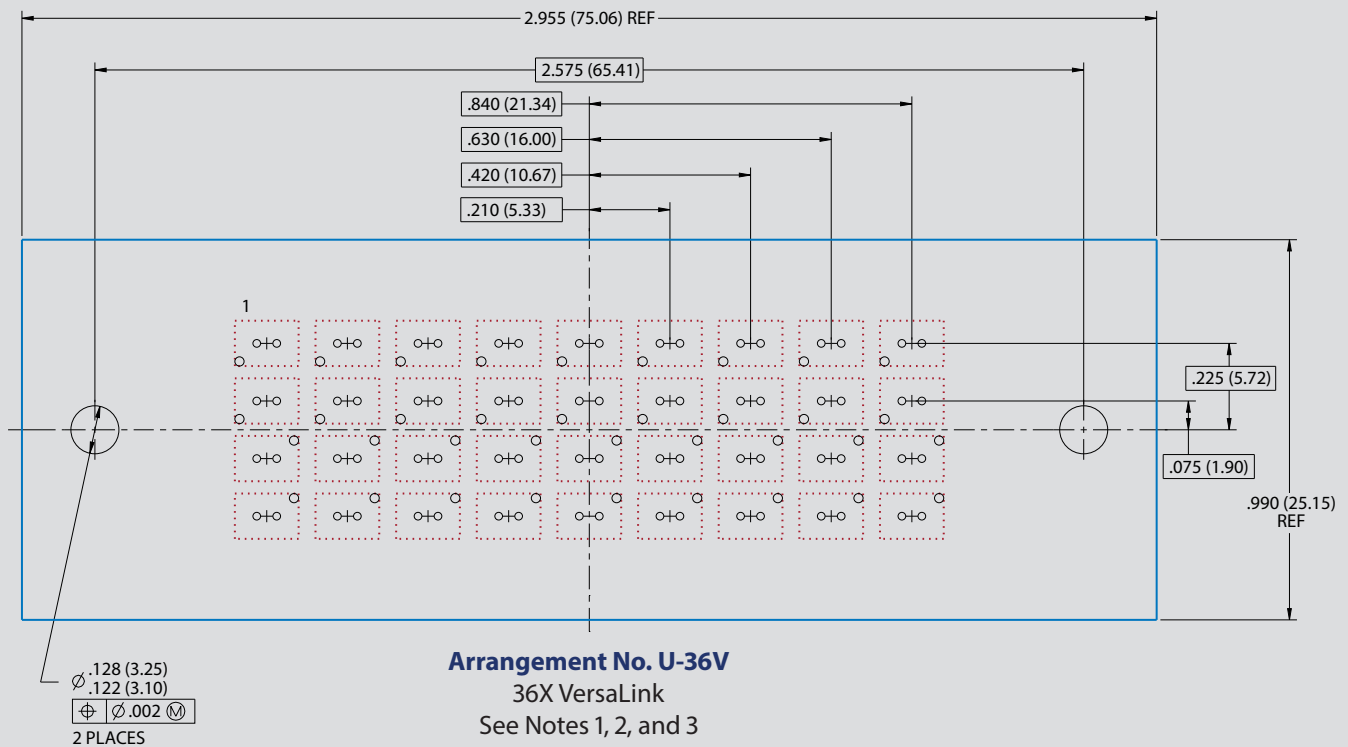
NOTES

1. See 799-184 for cavity identifications.
2. Pin cavity locations shown. Socket arrangements are mirrored. Ground pin location constant.
3. Note the location of the ground leg within each arrangement.
4. The location given for each pair is the center of each pair layout.
5. See AN0005 for proper PCB design rules.

"ZERO-CROSSTALK" Series 794 VersaLink™ Connectors



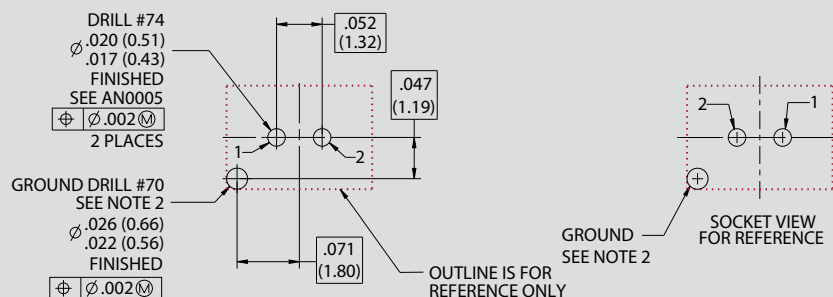
799-196: Series 794 PCB Layouts



SERIES 794 VERSALINK CONNECTORS

- Approximate connector outline
- Refer to VersaLink pair layout detail

VERSALINK PAIR LAYOUT



NOTES

1. See 799-184 for cavity identifications.
2. Pin cavity locations shown. Socket arrangements are mirrored. Ground pin location constant.
3. Note the location of the ground leg within each arrangement.
4. The location given for each pair is the center of each pair layout.
5. See AN0005 for proper PCB design rules.