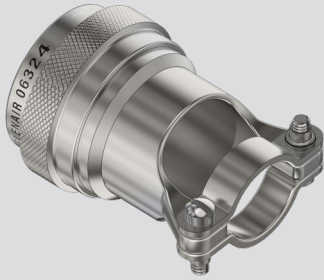


"ZERO-CROSSTALK" Series 806 Mil-Aero VersaLink™ Connectors



620VS090 Strain Relief Cable Clamp Backshell, High-Speed Contacts

SERIES 806 VERSALINK CONNECTORS



Self-locking. Full radius saddles. Extra clearance for #8 sealing boots. Extended frame saddle clamp fits Series 806 Mil-Aero connectors. Clamp has enlarged inside diameter and longer frame to provide clearance for high-speed contacts with sealing boots. Extra clearance helps prevent contact splay and damage. Full radius saddle bars have self-locking SST clinch nuts. Anti-decoupling mechanism provides audible detented coupling and prevents backoff under high vibration.

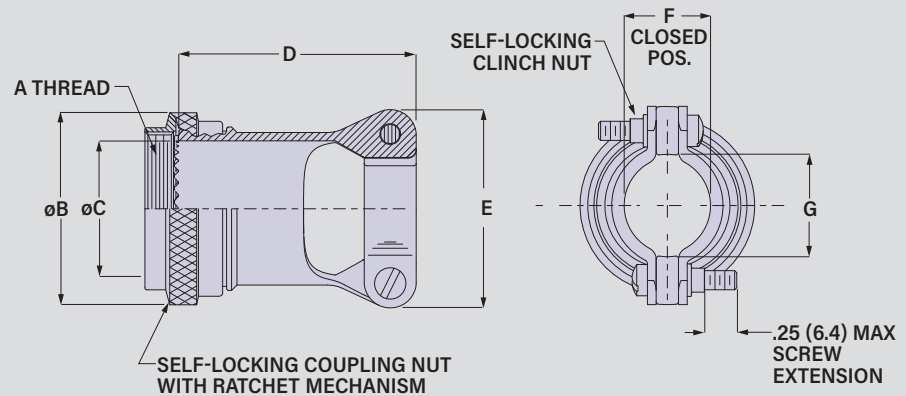
ADAPTER CODE V

- This accessory fits Glenair Series 806 Mil-Aero VersaLink connectors

MATERIAL/FINISH

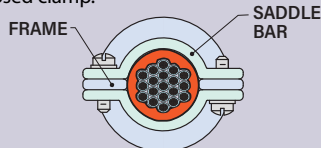
- Body, saddles, coupling nut: aluminum or SST, finish per PN build
- Screws, washers, clinch nuts: stainless steel
- Anti-decoupling spring: high temperature thermoplastic (aluminum clamps) or SST (SST clamps)

HOW TO ORDER			
Sample Part Number	620VS090	ME	20
Product	620VS090 = Series 806, Straight Backshell		
Material/ Finish	ME = Aluminum, Electroless Nickel MT = Aluminum, Ni/PTFE NF = Aluminum, Olive Drab Cadmium ZR = Aluminum, Black Zinc-Nickel Z1 = Stainless Steel, Passivated		
Shell Size	08 09 10 11 12 14 16 18 20 22 24		



APPLICATION NOTE

- This backshell has a full radius saddle clamp. This type of strain relief is designed to be fully closed. Saddle bars should be bottomed onto frame. Build up cable diameter with tape or sleeve to meet the diameter of the fully closed clamp.



FULL RADIUS SADDLE CLAMP
SADDLE BARS SHOULD BE FULLY BOTTOMED ONTO FRAME.

DIMENSIONS							
Shell Size	A ISO Metric Thread	øB Max.	øC ± .005 (0.1)	D ± .060 (1.5)	E Max	F ± .031 (.8)	G Min
08	M10 x 1.0-6H	.642 (16.31)	.269 (6.83)	1.31 (33.27)	.93 (23.62)	.205 (5.21)	.18 (4.57)
09	M12 x 1.0-6H	.735 (18.67)	.346 (8.79)	1.25 (31.75)	.98 (24.89)	.219 (5.56)	.22 (5.59)
10	M14 x 1.0-6H	.786 (19.96)	.410 (10.41)	1.31 (33.27)	1.02 (25.91)	.244 (6.20)	.25 (6.35)
11	M15 x 1.0-6H	.830 (21.08)	.471 (11.96)	1.31 (33.27)	1.05 (26.67)	.264 (6.71)	.27 (6.86)
12	M17 x 1.0-6H	.911 (23.14)	.539 (13.69)	1.38 (35.05)	1.12 (28.45)	.312 (7.92)	.32 (8.13)
14	M19 x 1.0-6H	1.002 (25.45)	.592 (15.04)	1.38 (35.05)	1.20 (30.48)	.344 (8.74)	.35 (8.89)
16	M22 x 1.0-6H	1.149 (29.18)	.740 (18.80)	1.44 (36.58)	1.30 (33.02)	.460 (11.68)	.47 (11.94)
18	M25 x 1.0-6H	1.264 (32.11)	.856 (21.74)	1.50 (38.10)	1.44 (36.58)	.545 (13.84)	.55 (13.97)
20	M28 x 1.0-6H	1.394 (35.41)	.980 (24.89)	1.56 (39.62)	1.56 (39.62)	.615 (15.62)	.62 (15.75)
22	M31 x 1.0-6H	1.513 (38.43)	1.070 (27.18)	1.69 (42.93)	1.69 (42.93)	.698 (17.73)	.70 (17.78)
24	M34 x 1.0-6H	1.631 (41.43)	1.214 (30.84)	1.75 (44.45)	1.77 (44.96)	.780 (19.81)	.78 (19.81)