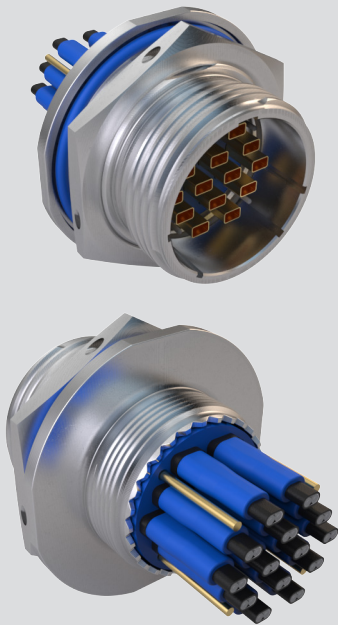


# "ZERO-CROSSTALK" Series 806 Mil-Aero VersaLink™ Connectors



## 806-046 VersaLink Jam-Nut Receptacle

SERIES 806 VERSALINK CONNECTORS



PART NUMBER DEVELOPMENT						
<b>Sample Part Number</b>	<b>806-046</b>	<b>-ME</b>	<b>18-14V4</b>	<b>A</b>	<b>M</b>	<b>A</b>
<b>Series / Basic No.</b>	<b>806-046</b> = Jam-nut receptacle					
<b>Material / Finish</b>	<b>ME</b> = Aluminum alloy, electroless nickel (96 hour salt spray) <b>MT</b> = Aluminum alloy, nickel-PTFE <b>NF</b> = Aluminum alloy, cad/O.D. Over electroless nickel <b>ZR</b> = Aluminum alloy, zinc nickel, black (tri-valent cr) <b>Z1</b> = Aluminum alloy, stainless steel passivated <b>ZL</b> = Aluminum alloy, electro-deposited nickel					
<b>Insert Layout</b>	See Insert Arrangement Table (See page 13–14 for layouts)					
<b>Contact Gender</b>	<b>A</b> = Pin, less contact <b>B</b> = Socket, less contact					
<b>Shell Style</b>	<b>M</b> = Metric thread <b>B</b> = Banding platform					
<b>Polarization</b>	<b>A, B, C, D, E, F</b> ; see Polarization Table					

### MATERIAL AND FINISH

- Shell, spanner nut: see part number development
- Insulators: rigid dielectric/N.A.
- Seals/grommets, O-rings: fluorosilicone blend/N.A.
- Contacts: copper alloy/gold

### PERFORMANCE SPECIFICATIONS

- Current rating for 20HD and 22HD  
20 AWG: 7.5 amps  
22 AWG: 5 amps
- DWV  
20HD: 1800 VAC at sea level  
22HD: 1300 VAC at sea level
- Insulation resistance:  
5000 MΩ min. at ambient temperature  
1000 MΩ min. at elevated temperature
- Operating temperature: -65° to +200° C

### NOTES

1. Glenair strongly recommends the use of strain relief 620VS090 or equivalent when using a metric accessory thread shell. Glenair strongly recommends overmolding when using a banding porch shell.
2. Consult factory for use with other cables.
3. Groove for use with overmold strain relief or 809-060 heat shrink boots.
4. Terminate shield with glenair bandmaster ats tool 601-108 & Glenair Nanoband.
5. VersaLink contacts are purchased separately. See following drawings for more information:  
VersaLink: 853-045 & 853-046  
22HD: 850-094 & 850-095  
20HD: 809-204 & 809-205  
See 8574-0001 for pre-terminated VersaLink contacts. Contact factory for complete cable assemblies.
6. Receptacle mates with 806-044 of the same arrangement, polarization, and opposite gender. See catalog for contact tools.
7. Blue color band indicates rear release retention.
8. Red color band full mate indicator

### INSERT ARRANGEMENT

SHELL SIZE-LAYOUT	NUMBER OF CONTACTS		
	VersaLink	22HD	20HD
8-1V	1		
9-2V	2		
10-2V2	2		2
11-4V <sup>1</sup>	4		
11-2V9 <sup>2</sup>	2	9	
12-4V4	4	4	
14-6V7	6	7	
14-4V15 <sup>3</sup>	4	15	
16-10V4	10	4	
16-8V10	8	10	
18-14V4	14	4	
18-8V31	8	31	
20-18V8	18	8	
22-25V4	25	4	
22-16V19	16	19	
24-32V	32		
24-16V66	16	66	

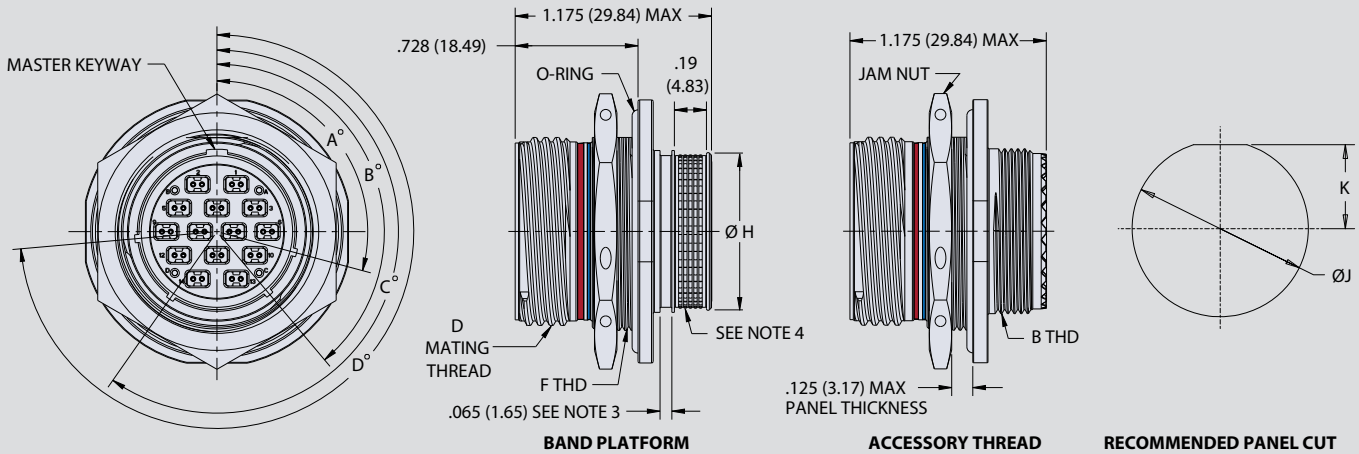
Support for:

1. 40G Ethernet
2. USB 3.1 Gen 2
3. USB 3.2, USB 4, HDMI, DP, DVI Single Link

# "ZERO-CROSSTALK" Series 806 Mil-Aero VersaLink™ Connectors



## 806-046 VersaLink Jam-Nut Receptacle



### CONNECTOR DIMENSIONS

SHELL SIZE	A MAX	B THREAD	C MAX	D MATING THREAD	E MAX	F THREAD	H
8	0.980 (24.89)	M10 X 1-6g.100R	0.920 (23.37)	.5000-.067P-.2L-TS-2B	0.100	M15 X 1-6g.100R	0.327 (8.31)
9	1.040 (26.42)	M12 X 1-6g.100R	0.980 (24.89)	.5625-.067P-.2L-TS-2B	0.100	M16 X 1-6g.100R	0.406 (10.31)
10	1.110 (28.19)	M14 X 1-6g.100R	1.050 (26.67)	.6250-.067P-.2L-TS-2B	0.100	M18 X 1-6g.100R	0.484 (12.29)
11	1.160 (29.46)	M15 X 1-6g.100R	1.110 (28.19)	.6875-.067P-.2L-TS-2B	0.100	M19 X 1-6g.100R	0.524 (13.31)
12	1.230 (31.24)	M17 X 1-6g.100R	1.170 (29.72)	.7500-.067P-.2L-TS-2B	0.100	M21 X 1-6g.100R	0.603 (15.32)
14	1.360 (34.54)	M19 X 1-6g.100R	1.320 (33.53)	.8750-.067P-.2L-TS-2B	0.100	M24 X 1-6g.100R	0.681 (17.30)
16	1.515 (38.48)	M22 X 1-6g.100R	1.444 (36.68)	1.0000-.067P-.2L-TS-2B	0.100	M27 X 1-6g.100R	0.782 (19.86)
18	1.610 (40.89)	M25 X 1-6g.100R	1.570 (39.88)	1.1250-.067P-.2L-TS-2B	0.100	M30 X 1-6g.100R	0.899 (22.83)
20	1.850 (46.99)	M28 X 1-6g.100R	1.760 (44.70)	1.2500-.067P-.2L-TS-2B	0.128	M34 X 1-6g.100R	1.043 (26.49)
22	2.010 (51.05)	M31 X 1-6g.100R	1.913 (48.59)	1.3750-.067P-.2L-TS-2B	0.128	M37 X 1-6g.100R	1.155 (29.34)
24	2.195 (55.75)	M34 X 1-6g.100R	2.070 (52.58)	1.5000-.067P-.2L-TS-2B	0.128	M41 X 1-6g.100R	1.273 (32.33)

### POLARIZATION

POS	A	B	C	D
A	105	140	215	265
B	102	170	248	305
C	80	150	230	295
D	68	140	205	275
E	64	155	234	304
F	72	120	200	298

### PANEL CUTOUT DIMENSIONS

SHELL SIZE	J	K
8	0.601 (15.27)	0.256 (6.50)
9	0.640 (16.26)	0.287 (7.29)
10	0.719 (18.26)	0.318 (8.08)
11	0.759 (19.28)	0.350 (8.89)
12	0.837 (21.26)	0.381 (9.68)
14	0.955 (24.26)	0.443 (11.25)

### PANEL CUTOUT DIMENSIONS

SHELL SIZE	J	K
16	1.073 (27.25)	0.505 (12.83)
18	1.192 (30.28)	0.568 (14.43)
20	1.349 (34.26)	0.630 (16.00)
22	1.467 (37.26)	0.693 (17.60)
24	1.624 (41.25)	0.775 (19.69)

### VERSALINK CONTACTS SOLD SEPARATELY

Pin	<b>853-045</b>
Socket	<b>853-046</b>
Pin Pigtail	<b>8574-0001-AN</b>
Socket Pigtail	<b>8574-0001-BN</b>
Pin-Pin Cable	<b>8574-0001-AA</b>
Pin-Socket Cable	<b>8574-0001-AB</b>
Socket-Socket Cable	<b>8574-0001-BB</b>

### SIGNAL AND POWER CONTACTS SOLD SEPARATELY

#22HD Pin	Wire size #22-#28	<b>850-094-1</b>
#22HD Pin	Wire size #26-#30	<b>850-094-2</b>
#22HD Socket	Wire size #22-#28	<b>850-095-1</b>
#22HD Socket	Wire size #26-#30	<b>850-095-2</b>
#20HD Pin	Wire size #20-#24	<b>809-204</b>
#20HD Socket	Wire size #20-#24	<b>809-205</b>

### COMPATIBLE SPEEDLINE CABLE

Twisted Pair	<b>963-068-26</b>
Flat Pair	<b>963-069-26</b>