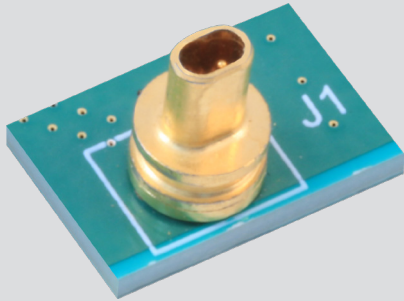


"ZERO-CROSSTALK" VersaLink™ Bridge Board Connectors



853-052 Quick Disconnect, Straight Board, Pin Jack

VERSALINK BRIDGE



PART NUMBER DEVELOPMENT				
Sample Part Number	853-052	-1	G	-.140
Series	853-052 = Quick Disconnect, Straight Board Level, Pin Jack			
Dash No	-1 = Solder Mount -2 = Screw Mount			
PC Tail Finish	S = Solder Dipped in 63/37 Tin-lead G = Gold Plated			
PC Tail Length	Length in inches .140, .110, .080			

MATERIALS AND FINISHES

- Contacts: copper alloy/gold
- Insulators: superior rigid dielectric
- Body: copper alloy/gold

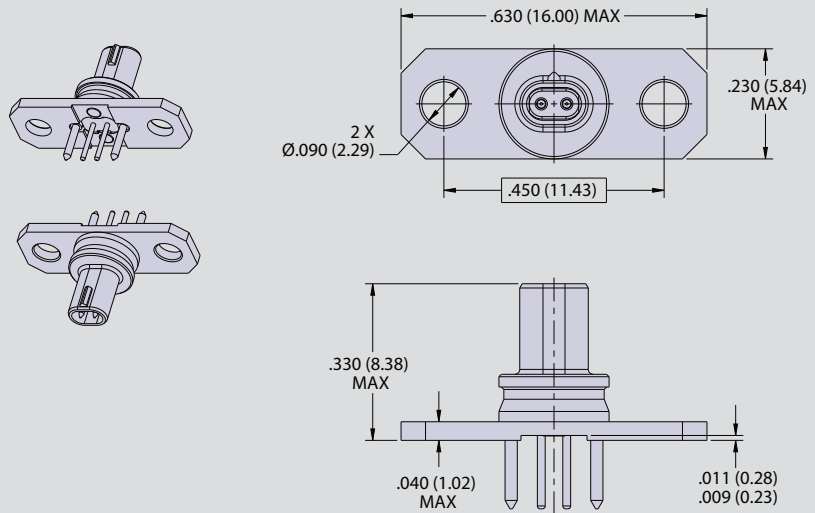
PERFORMANCE SPECIFICATIONS

- Impedance: 100 Ohms
- DWV: 500 Vrms
- IR: 5000 megaOhms min at 200 Vdc
- Operating temperature: -65°C to 150°C
- Mates with 853-051

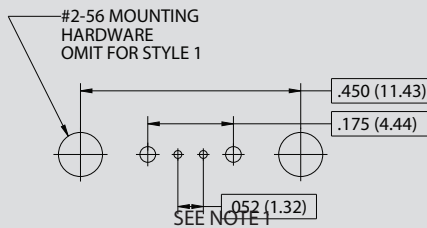
NOTES

1. See application note AN0005 for optimal PCB layout

853-052 VERSALINK QDC SCREW MOUNT JACK



PCB LAYOUT



853-052 VERSALINK QDC SOLDER MOUNT JACK

