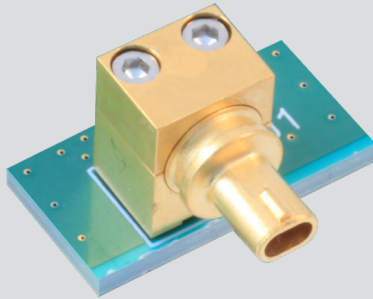


"ZERO-CROSSTALK" VersaLink™ Bridge Board Connectors



853-054 Quick Disconnect, Right Angle, Pin Board Level Jack

VERSALINK BRIDGE



| PART NUMBER DEVELOPMENT | | | | |
|-------------------------|--|----|---|------|
| Sample Part Number | 853-054 | -1 | G | -140 |
| Series | 853-054 = Quick Disconnect, Right Angle, Board Level, Pin Jack | | | |
| Style | -1 = Solder Mount -2 = Screw Mount | | | |
| PC Tail Finish | S = Solder Dipped in 63/37 Tin-Lead G = Gold Plated | | | |
| PC Tail Length | Length in inches .140, .110, .080 | | | |

MATERIALS AND FINISHES

- Contacts: copper alloy/gold
- Insulators: superior rigid dielectric
- Body: copper alloy/gold

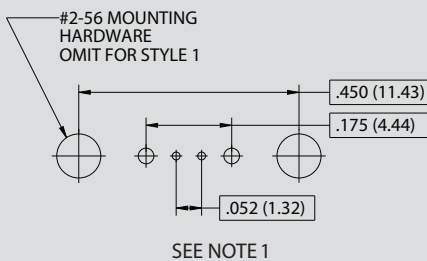
PERFORMANCE SPECIFICATIONS

- Impedance: 100 Ohms
- DWV: 500 Vrms
- IR: 5000 megaOhms min at 200 Vdc
- Operating temperature: -65°C to 150°C
- Mates with 853-051

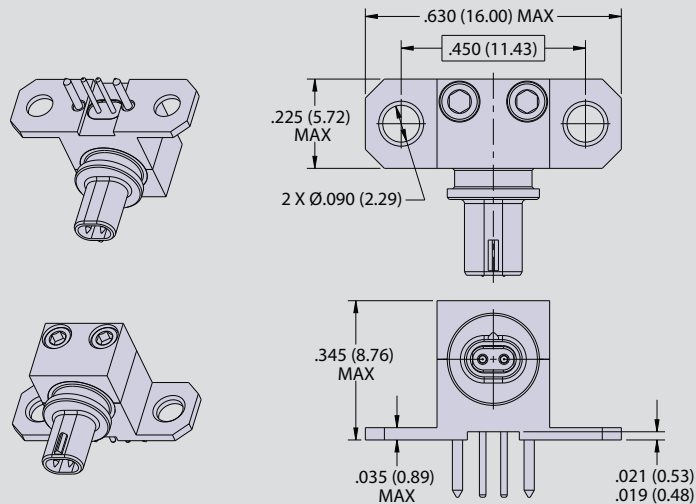
NOTES

1. See application note AN0005 for optimal PCB layout

PCB LAYOUT



853-052 VERSALINK QDC SCREW MOUNT JACK



853-052 VERSALINK QDC SOLDER MOUNT JACK

