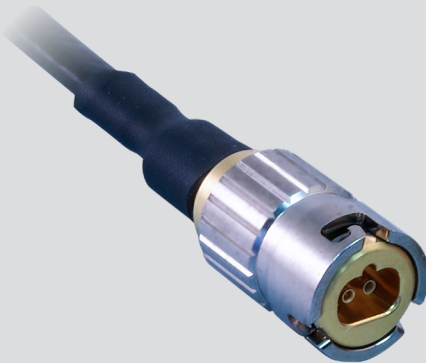


"ZERO-CROSSTALK" VersaLink™ Bridge Board Connectors



853-064 Bayonet, Socket Plug



PART NUMBER DEVELOPMENT		
Sample Part Number	853-064	-01
Series	853-064 = Bayonet Coupling, Board Level Socket Plug	
Dash No	-01 = 963-069-26 cable	

Dash No	Cable P/N	Cable Construction	Wire Gauge	Wam Overall Size	Crimp Die	Assembly Instructions
-01	963-069-26	twinax In-line	26	.133 x .083	859-205-26	Al85153

MATERIALS AND FINISHES

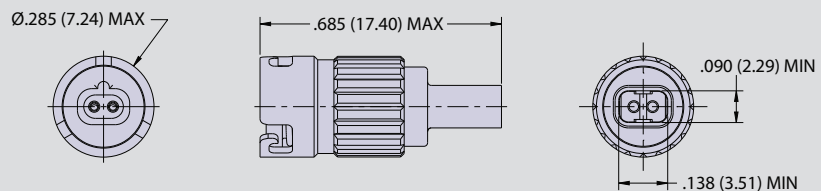
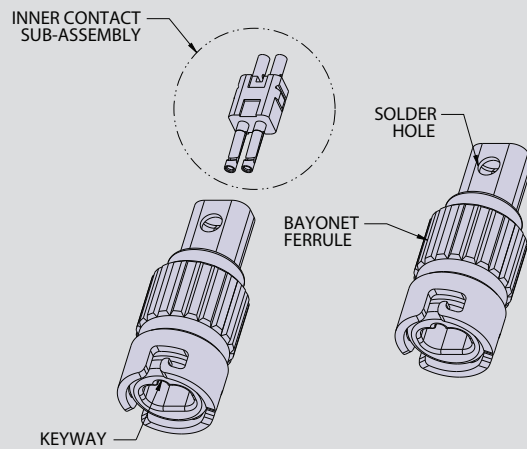
- Contacts: copper alloy/gold
- Insulators: superior rigid dielectric
- Body: copper alloy/gold
- Coupling nut: copper alloy/electroless nickel
- Spring: stainless steel

PERFORMANCE SPECIFICATIONS

- Operating temperature: -65°C to 150°C
- Mates with 853-065 and 853-067

NOTES

1. Contact factory to inquire about use with other cables
2. Crimp tools:
 - Inner contacts: 809-464
 - Die: 859-205-XX



VERSALINK BRIDGE