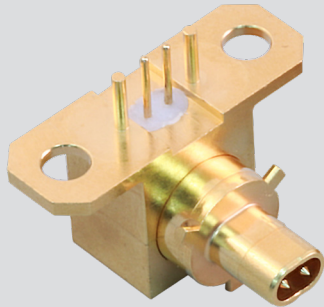


"ZERO-CROSSTALK" VersaLink™ Bridge Board Connectors



853-067 Bayonet, Right Angle PCB Mount, Pin Contact Jack



PART NUMBER DEVELOPMENT			
Sample Part Number	853-067	-G	-.140
Series	853-067 = Bayonet, Right Angle Board Level, Pin Jack		
PC Tail Finish	S = Solder Dipped in 63/37 Tin-lead G = Gold Plated		
PC Tail Length	Length in inches .140, .110, .080		

VERSALINK BRIDGE

MATERIALS AND FINISHES

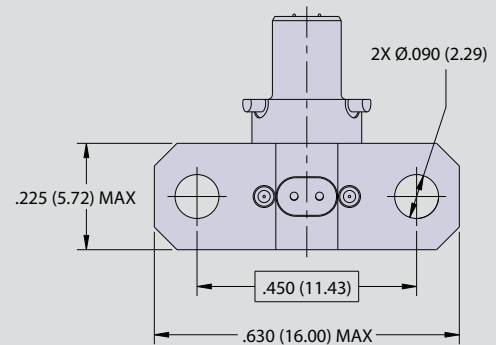
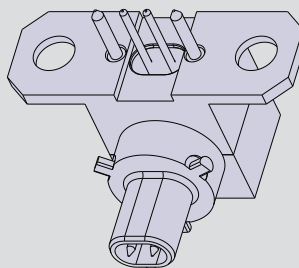
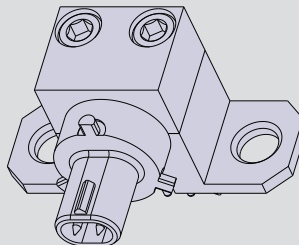
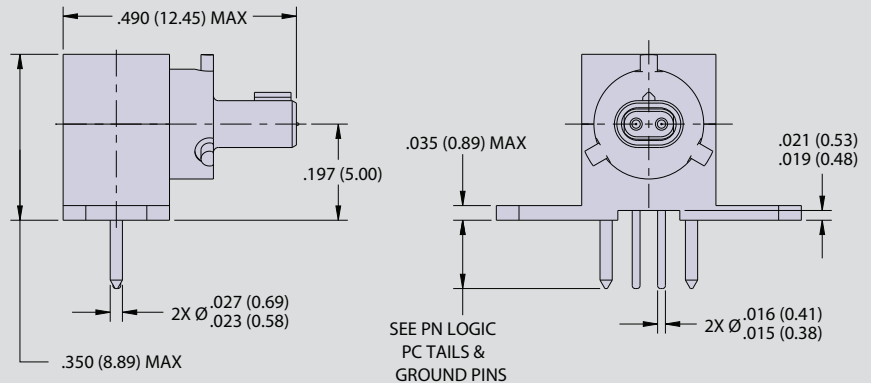
- Contacts: copper alloy/gold
- Insulators: superior rigid dielectric
- Body: copper alloy/gold

PERFORMANCE SPECIFICATIONS

- Impedance: 100 Ohms
- DWV: 500 Vrms
- IR: 5000 megaOhms min at 200 Vdc
- Operating temperature: -65°C to 150°C
- Mates with 853-064

NOTES

1. See application note AN0005 for optimal PCB layout



PCB LAYOUT

